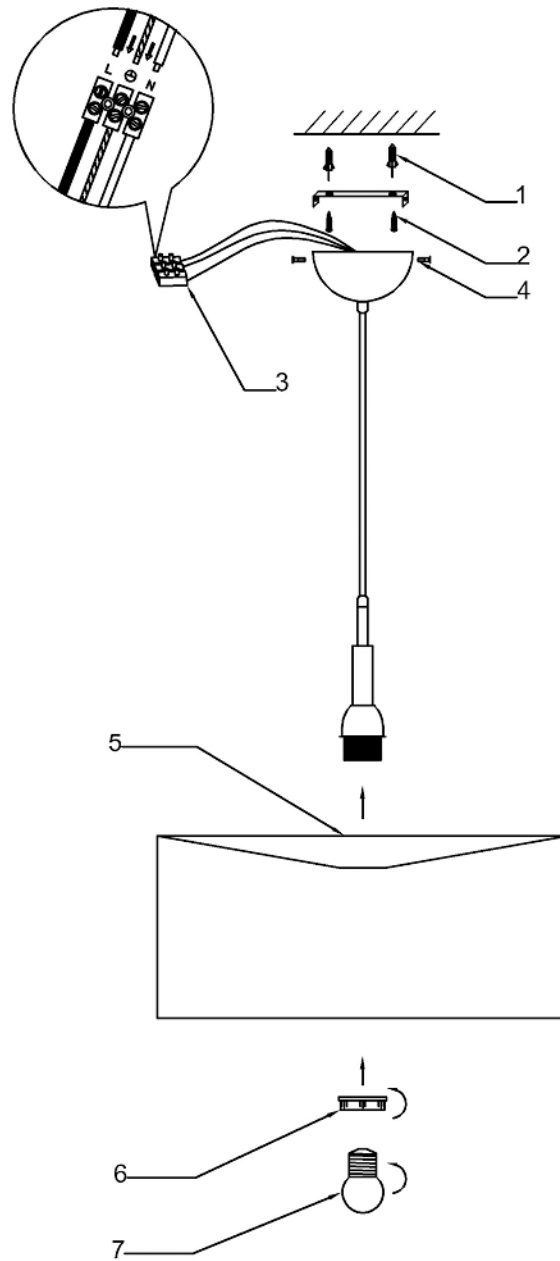




WWW.QAZQA.COM



44866 / 44865

LUGAR HL1 BLACK / LUGAR HL1 CREME

CLEANING INSTRUCTION

1. Do not clean the lamp with watery washcloth always use dry cotton fabric for cleaning.
2. Always shut off the power when cleaning the lamp.

CAUTION

1. Keep it away from where the children can touch it in case being scalded.
2. Always shut off the power when installing or repairing.

NOTE

Make sure the lamp has been installed according to the specification before inputting the power

QAZQA