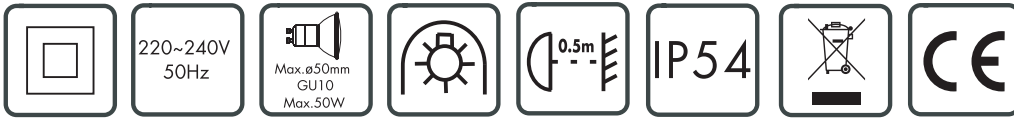
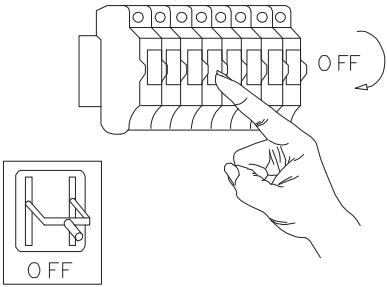
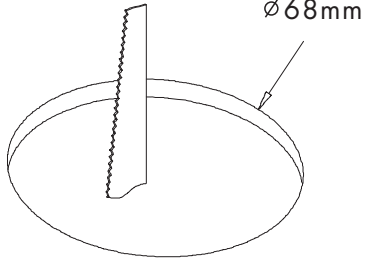
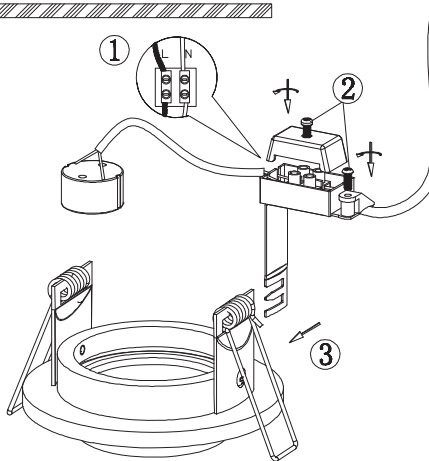
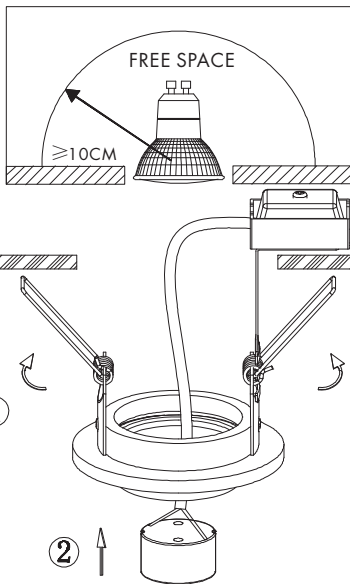
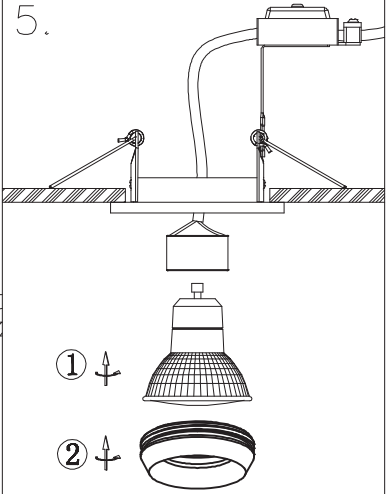
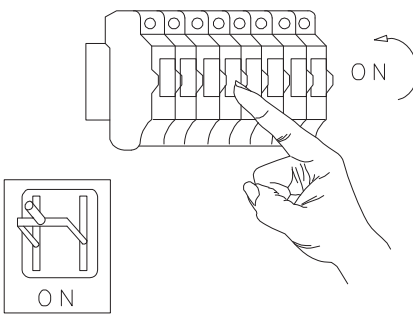


INSTRUCTION MANUAL



Spa DL Round Aluminium 44810



<p>1.</p> 	<p>2.</p> 	
<p>3.</p> <p>INPUT: AC220~240V</p> 	<p>4.</p> 	<p>5.</p>  <p>warning: when replacing a halogen lamp, wait for it to cool, for a minimum of 5 minutes</p>
<p>6.</p> 	<p>Overall Sizes:</p> 