

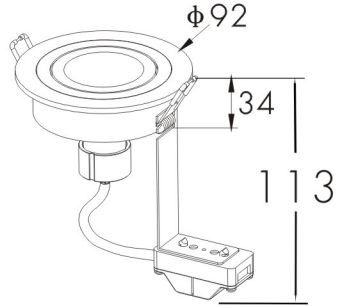
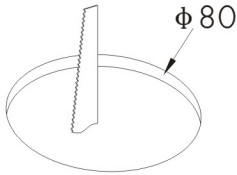
Instruction manual

Rondoo DL 1 Aluminium

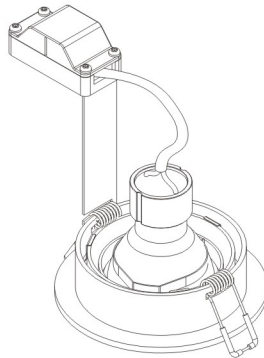
44803



1

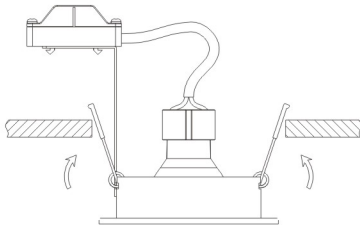


INPUT: AC220~240V



2

INPUT: AC220~240V



3

INPUT: AC220~240V

