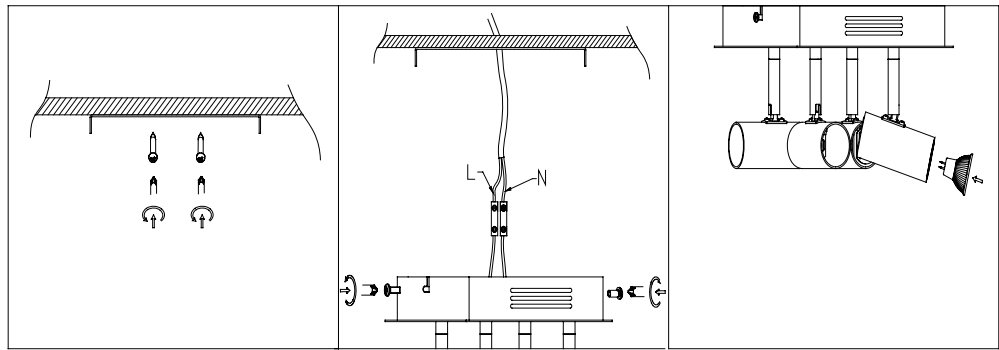




WWW.QAZQA.COM

**Model:**44646  
**Type:**Halogen lamp  
**Illuminant:**MR11 Halogen lamp

**Technical Specifications**  
**.Voltage:**220~240V 50Hz/60Hz  
**.Power:** Max.4X35W  
**.IP Grade:**IP20  
**.Safe Grade:**Class II



- Recommendation for safety:**
- .Install the lighting fixture by professional only;
  - .Make sure power is off before installing;
  - .Do not touch the halogen bulb when it lights on;
  - .Always turn off the power for few minutes before handling or replacing the bulb;
  - .Allow distance of at least 0.5m between the halogen lamp and light surface;
  - .Use only dry cloth to clean the bulb,do not use cleanser or chemical cleaning products;
  - .The actual use power should not override the rated power.

**QAZQA**