



WWW.QAZQA.COM

43620 Using Manual

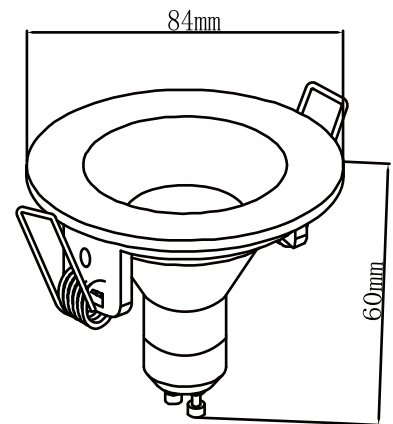
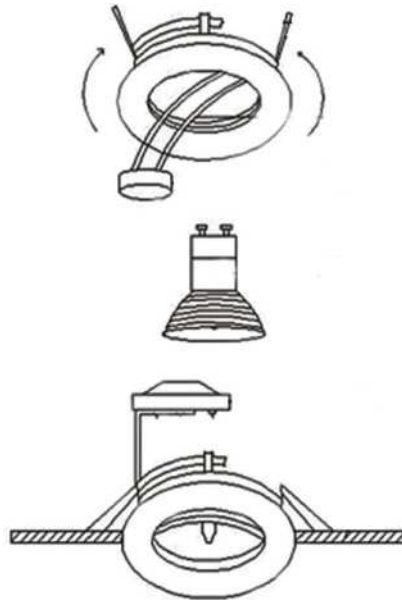
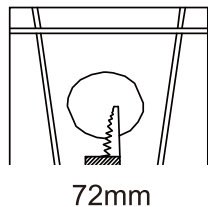
Forword

Thank you for choosing our 43620 spot light. Before installation and use of this spot, we highly recommend that you read through this manual carefully. Do not install this spot light if it is in a damaged or broken condition upon arrival. If you have received this product and it is damaged, please report this to the retailer immediately.

Technical Specifications

Technical Specs:

Item No.	Light source	Installation size	Protection gr	Working power	Material
43620	50W halogen lamp	72mm	IP20	220~240V AC	Steel



Safety Warnings

1. Please do not install this fixture near intense magnetic or high-voltage fields.
2. To reduce the risk of component damage and fire cause by a short-circuit, ensure all connections are safely and securely connected.
3. Always ensure that this unit is mounted in an area with the correct amount of ventilation this is so the fitting stays at the optimal running temperature. (See Technical Specifications)
4. Please check that the input voltage is suited to the lighting fitment you have purchased and that the bulb is also the correct type for the fitment you have.
5. Do not, under any circumstances connect this fitting with the power on; turn off and isolate the power before attempting any fitting of this lamp fixture.
6. Please do not attempt any repairs of the fitting yourself; doing so will void your manufactures warranty.