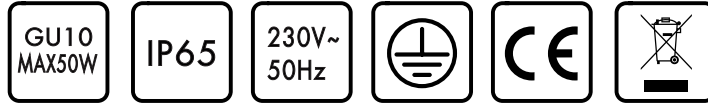
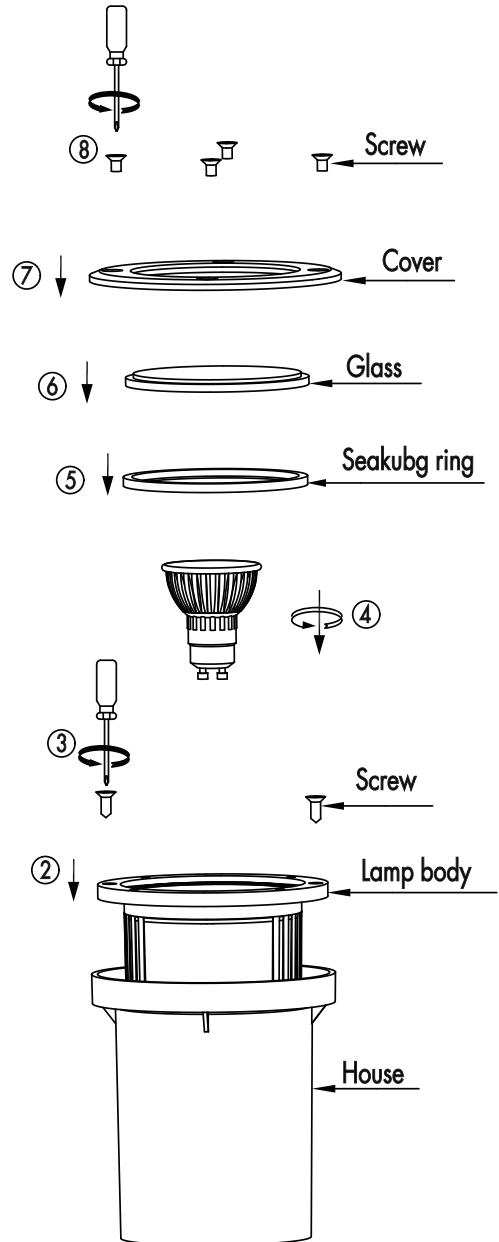
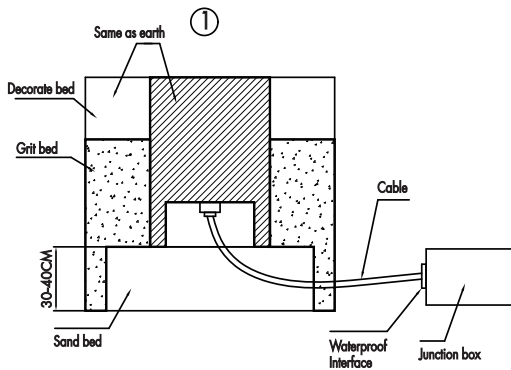
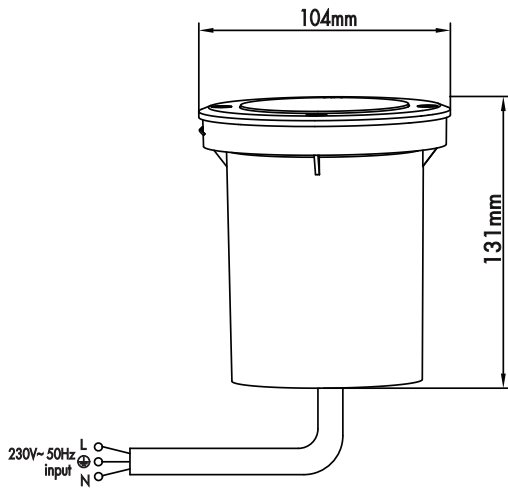


INSTRUCTION MANUAL



Basic GS Round
43617



Attention:

1. fixed two symmetric screws by 50% finished
2. fixed the other two symmetric screws by 70% finished
3. fixed all four screws 100% finished.