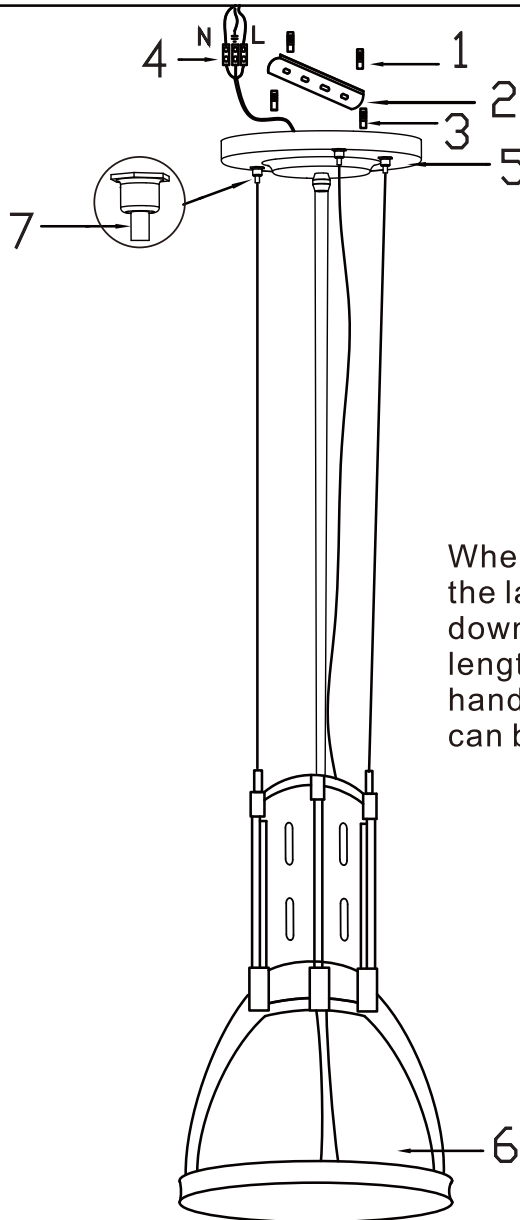




WWW.QAZQA.COM

# 41512 Using Manual

Please read instructions before commencing installation and retain for future reference.



## INSTALLATION INSTRUCTIONS:

1. Install the dowel;
2. Install the bracket;
3. Install the screws;
4. Connect it to power;
5. Ceiling
6. Lamp body

When need to adjust the height of the lamp, just press part 7, then pull up or down the steel string to suitable length, loosen you hand, then it will be fixed, the above way can be applied to other 3 strings.

Note:  
This lamp can have a maximum of a 65W Energy Saving Bulb.