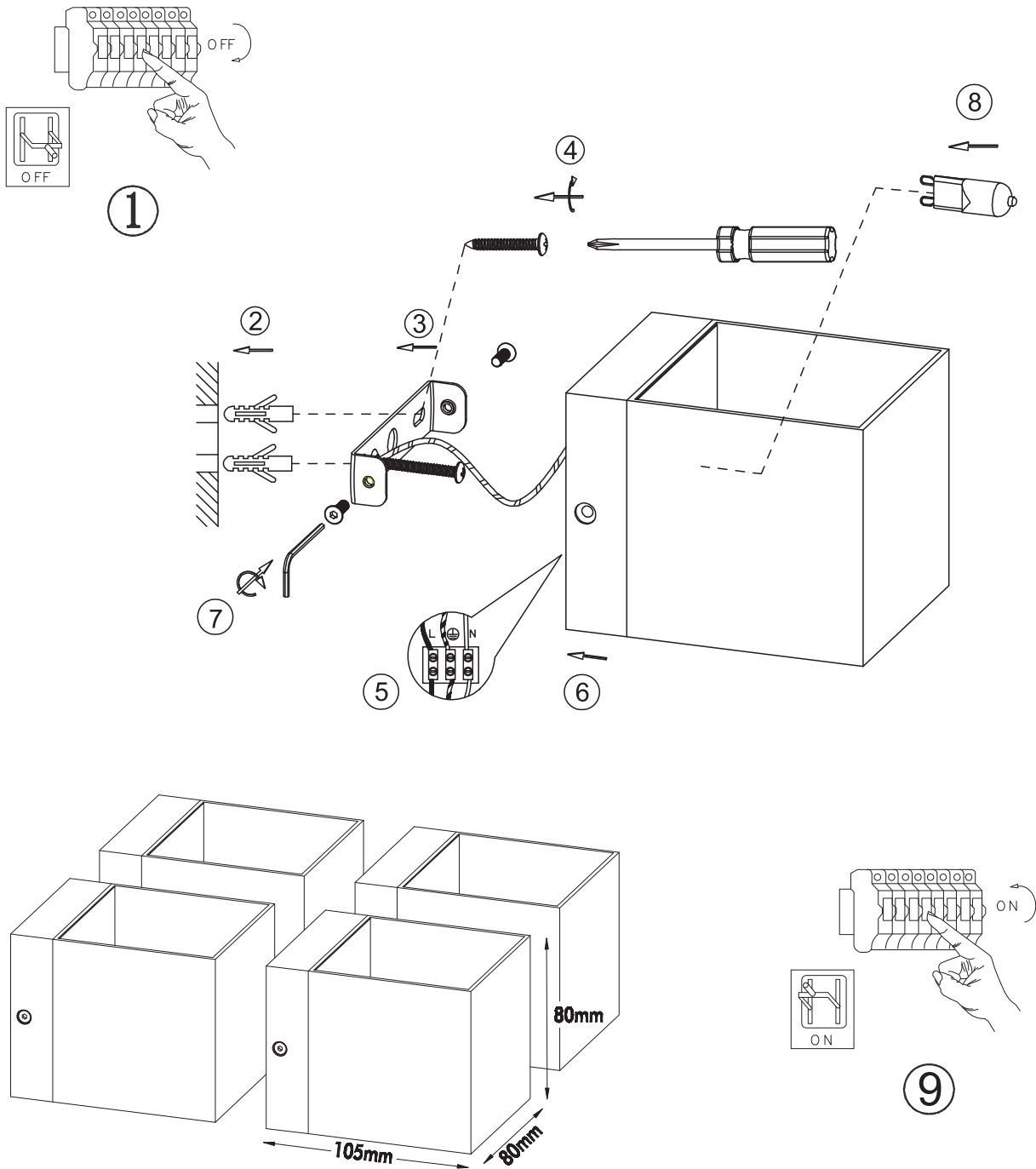


# INSTRUCTION MANUAL



## Transfer WL Set Of 4



–Suitability for use “indoors”, the related ambient temperature is 25°C