

# INSTRUCTION MANUAL

## (NL) Gebruikte symbolen

(GB) Safety Precautions / (FR) Symboles utilisés / (DE) Verwendete Symbole / (PL) Stosowane symbole / (NO) Brukte symboler / (DK) Brugte symboler / (SE) Använda symboler / (FI) Käytetyt symbolit / (IT) Simboli usati / (ES) Símbolos empleados / (CZ) Použité symboly / (PT) Símbolos utilizados / (GR) Χρησιμοποιούμενα σύμβολα



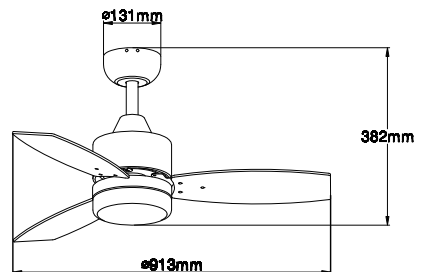
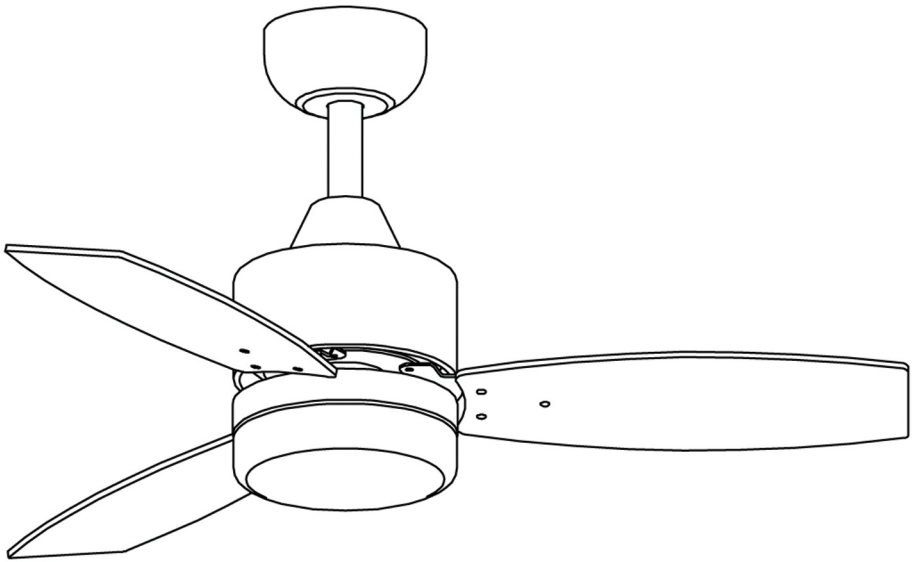
220-240V~  
50Hz



IP44



Toledo Fan CCT  
107737 107738



**FittinQ B.V.**

Smaragdweg 52, 5527 LB Hapert, The Netherlands  
www.qazqa.nl

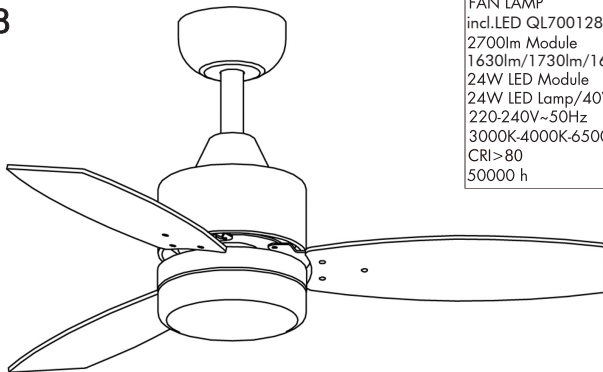
**FittinQ LTD**

55 Baker Street,  
London, W1U 7EU  
United Kingdom


QAZQA

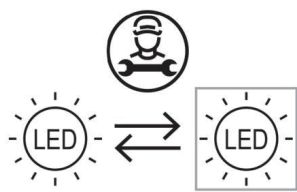
# Toledo Fan CCT

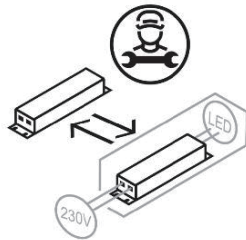
## 107737 107738



FAN LAMP  
incl.LED QL7001287  
2700lm Module  
1630lm/1730lm/1600lm Lamp  
24W LED Module  
24W LED Lamp/40W Fan  
220-240V~50Hz  
3000K-4000K-6500K  
CRI>80  
50000 h

<p>(DE) Dieses Produkt enthält eine Lichtquelle der Energieeffizienzklasse F (EN) This product contains a light source of energy efficiency class F (FR) Ce produit comprend une source de lumière de classe d'efficacité énergétique F (NL) Dit product bevat een lichtbron van energie-efficiëntieklasse F (PL) Produkt ten zawiera źródło światła o klasie efektywności energetycznej F (NO) Dette produktet inneholder en lyskilde i energieeffektivitetsklasse F (DK) Dette produkt indeholder en lyskilde af energieeffektivitetsklasse F (SE) Denna produkt innehåller en ljuskälla i energieffektivitetsklass F (FI) Tämä tuote sisältää energiatehokkuusluokan F valonlähteen (IT) Questo prodotto contiene una sorgente luminosa della classe di efficienza energetica F (ES) Este producto contiene una fuente de luz de la clase de eficiencia energética F (PT) Tento výrobek obsahuje světelný zdroj třídy energetické účinnosti F (PT) Este produto contém uma fonte de luz da classe de eficiência energética F (GR) Αυτό το προϊόν περιέχει μια φωτεινή πηγή ενεργειακής απόδοσης κλάσης F (SK) Tento výrobok obsahuje zdroj svetla triedy energetickej efektivity F</p>	<p>QR</p> 	<p>EAN</p> <p>107737: 8718881161223 107738: 8718881161247</p>
---	---	---

	<p>(DE) Durch einen Fachmann austauschbare Lichtquelle (nur LED) (EN) Replaceable (LED only) light source by a professional. (FR) Source de lumière remplaçable (LED uniquement) par un professionnel. (NL) Lichtbron (alleen led) te vervangen door een professional. (PL) Wymienne (tylko LED) źródło światła wykonane przez profesjonalistę. (NO) Utskiftbar (kun LED) lyskilde av en profesjonell. (DK) Udskiiftelig lyskilde (kun LED), udskiiftes af en elektriker. (SE) Ljuskälla (endast LED) utbyttbar genom fackman. (FI) Ammattilainen voi vaihtaa vaihdettavan (vain LED) valonlähteen. (IT) Sorgente luminosa (solo LED) sostituibile da un professionista. (ES) Fuente de luz (solo LED) sustituible por un profesional. (CZ) Vyměnitelný (pouze LED) světelný zdroj odborníkem. (PT) Luz LED (apenas LED) substituível por um profissional. (GR) Η πηγή φωτός (μόνο LED) να αντικαθίσταται από επαγγελματία. (SK) Zdroj svetla (iba LED) vymeniteľný prostredníctvom odborníka.</p>
--	--

	<p>(DE) Durch einen Fachmann austauschbares Betriebsgerät. (EN) Replaceable control gear by a professional. (FR) Contrôleur remplaçable par un professionnel. (NL) Voorschakelapparatuur te vervangen door een professional. (PL) Wymienny układ sterujący przez profesjonalistę. (NO) Utskiiftbar kontrollutstyr av en profesjonell. (DK) Udskiiftelig igangsætter, udskiiftes af en elektriker. (SE) Styrdon utbyttbart genom fackman. (FI) Ammattilainen voi vaihtaa vaihdettavat ohjauslaitteet. (IT) Dispositivo di controllo sostituibile da un professionista. (ES) Dispositivo de control sustituible por un profesional. (CZ) Vyměnitelný předřadník odborníkem. (PT) Dispositivo de controlo substituível por um profissional. (GR) Ο εξοπλισμός ελέγχου να αντικαθίσταται από επαγγελματία. (SK) Predradník vymeniteľný prostredníctvom odborníka.</p>
---	---

Safety instruction:

READ THESE INSTRUCTIONS CAREFULLY AND KEEP THEM FOR FUTURE CONSULTATION.

WARNING: TO REDUCE THE POSSIBLE RISK OF FIRE, ELECTRICAL DISCHARGES OR PERSONAL INJURY, TAKE THE FOLLOWING INTO ACCOUNT:

1. Proceed with care. Read the instructions in full before starting the installation.
2. WARNING! This fan can only be used with a bipolar switch with a contact opening of 3mm.
3. The installation process must only be carried out by an authorized electrician.
4. The installation height, i.e. the distance between the blades and the floor, should be at least 2.3 metres.
5. Make sure there are no obstacles within the area of rotation.
6. Make sure the fan is securely attached to the ceiling.
7. WARNING! Do not use a switch with a voltage regulator to control the speed of the fan.
8. WARNING! To avoid damage, make sure that the blades are not bent over and that there are no foreign objects within the area of rotation.
9. WARNING! If the fan is installed close to the ceiling, the ceiling may not be lowered using rails in accordance with European safety regulations. This could cause serious injuries. If you have any doubts in relation to these essential safety requirements, consult local by-laws.
10. Keep all electrical appliances away from children or impaired persons. Do not allow them to handle these appliances without supervision.
11. Suitable for use enclosed spaces.
12. Make sure that the appliance is not connected to the power supply before taking apart the components of the lamp. Connect to the power supply only after the installation has been completed.
13. Do not remove the shade from the lamp if the light bulb is on.
14. Change the light bulb only after the lamp has cooled down and when the appliance is not connected to the power supply.
15. When you switch on the appliance, make sure that the lampshade is secure.

16. IP20 The fan is designed for use interior spaces. It is not suitable for installation in a bathroom or habitually humid areas. Please make sure that the lamp never comes into contact with water.

17. You must make sure that children do not play with this lamp.

18. Always switch off the appliance and disconnect it from the power supply before installation, changing the light bulb, maintenance and cleaning.

19. This appliance can be used by children aged 8 years and above and persons with reduced physical, sensory or mental capabilities or lack of experience and knowledge if they have been given supervision or instruction concerning use of the appliance in a safe way and understand the hazards involved. Children shall not play with appliance. Cleaning and user maintenance shall not be made by children without supervisions.

20. The means for disconnection from the supply mains having a contact separation in all poles that provides full disconnection that must be incorporated in the fixed wiring in accordance with the wiring rules.


21. Regarding the instructions for the method of fixing and how to install the fan, thanks to refer to the section "INSTALLATION".


22. Regarding the method of the cable connection, thanks to refer to the section "CABLE INFORMATION".

Description of symbol:

23. The light source contained in the luminaire is non-user replaceable. It shall only be replaced by the manufacturer or his service agent or similar qualified person. The shade of the Light kit assembly **MUST NOT** be removed during cleaning, maintenance or any other circumstances.

You will find all the symbols related to his lamp on both the product labeled and the box in which it came.

Insulation class I . This fan must be connected with its ground wire (green and yellow cable) to the earthing conductor.



Insulation class II . This fan is double insulation and it must not be connected to the earth connection.

~ AC - Alternating current voltage  
Hz Frequency(Hertz)  
V Voltage in Volt  
W Intensity of current in watts

 Exclusive use in enclosed spaces.

Level of protection against intrusion. You can find the corresponding protection level on the label of the lamp.

### Remote control

Connect to the power supply and check the functioning of the fan. A series of pulses controls the speed of the fan, as follows  
 Press 1 - lowest; press 2 -low; press 3 -Medium speed; press 4 -high; press 5-very high; press 6-highest. The speed adjustments tope temperature will depend on factor such as the size of the room, its height, the number of fans available,etc, Using the , you can control the direction of the fan, forward or backward.

Hot temperatures - (forward) The fan turns anti-clockwise. The downward air current creates a cooling effect, as shown in figure A.

This enables you to set the air conditioning to a higher temperature without compromising on comfort.

Low temperatures - (backward) The fan turns clockwise. The upward air current causes the warm air in the upper part of the room to move to other areas, as show in figure B.

This enable you to set the heating to a lower temperature without compromising on comfort.

(Before using your fan in this position, consult point 10 of the safety instruction).



Replaceable LED by a professional.

### Maintenance

1. Due to the normal movement of the fan, it is possible that some connections may come lose. Check the support connections, the supports and attachment of the blades twice a year. Make sure they are securely attached.

2. Clean the fan regularly to keep it in perfect condition for many years. Do not use water for this. It could damage the motor or the wood, or even cause an electrical discharge.
3. Use only a gentle brush or smooth cloth to avoid scratches on the surface. The surface has been varnished to minimise the effects of discoloration and passage of time.
4. It is not necessary to lubricate the fan. The motor has a permanent lubrication system.

## RESOLVING PROBLEMS

If there are problems when you switch on your new ceiling fan, it is possible that the assembly, installation or connection of the cabling have not been carried out correctly.

Sometimes, these installation errors are confused with failures of the appliance. If problem arise, please consult the table below.

If the problem is not resolved, contact a qualified electrician. Do not attempt to make electrical repairs by yourself.

### PROBLEM

1. If fan does not start up:

2. If the fan makes a lot of noise:

### RECOMMENDED SOLUTIONS

1. Check the thermomagnetic switches or the circuit breaker of the main and branch circuit.
2. Check the connections of the connector block, as carried out in step no. 3 of the installation process.  
Warning: Make sure that the main power supply is disconnected.
3. If the fan still does not work, contact a qualified electrician. Do not attempt to resolve electrical connections failures yourself.

1. Inspect it to make sure that the screws of the motor housing are firmly in place (but not too tight).
2. Inspect it to make sure that the screws joining the fan blades to motor are firmly in place.

3. Some motors are sensitive to signals electricity semiconductor speed regulators. NEVER USE an electricity semiconductor speed regulator.
4. Run approximately 24 hours (period of adaptation of the appliance) The majority of the noises produced by new fans disappear within that time.

3. If the fan vibrates:

All blades have been weight and grouped together in accordance with the results. The density of the blades may vary, because they are made of natural wood. This may be the cause of the vibrations of the fan, despite the fact that the blades have been adapted according to their weight. The following measures should be sufficient to eliminate the majority of vibrations:

Check the level of vibrations after each step.

1. Check that all blades are securely screwed to their supports.
2. Check that all the supports are securely attached to the motor.
3. Make sure that the cover and the assembly support are securely attached to the ceiling mount.
4. If the fan continues to vibrate as before, you can exchange two blades which are next to each other for better distribution of the weight and so that the appliance makes less noise when functioning.

1. Check that the connector is connected to the light kit.
2. Check that the light source are not defective.
3. If the lamp still does not work, contact a qualified electrician.

Meaning of the symbol with a crossed - out waste bin:

Do not throw electrical appliances out with the household waste. Dispose of them at specified collection points.

For information on the available waste collection system, contact your local district council.

If electrical appliances are disposed of in waste dumps together with other waste, it is possible that certain hazardous substances could contaminate underground water and affect the food chain, which could cause damage to health and well - being.

If you replace your electrical appliance with new ones, the seller is obliged by law to collect the old appliances free of charge for correct disposal.



When the time comes to eliminate this product, please consider the environmental impact and take it to recognised recycling facility instead of disposing it with general household waste. Take the equipment to a waste disposal site. Plastic and metal parts that are used in the construction of this appliance can be separated into pure grade which allow recycling. Ask to your service centre for details. Everyone of us can participate on the environmental protection.

Speed(rpm)						Sound(db)					
Max rpm	Very High rpm	High rpm	Med rpm	Low rpm	Min rpm	db Max rpm	db Very High rpm	db High rpm	db Med rpm	db Low rpm	db Min rpm
280	236	213	186	160	126	52	51	48	45	43	42

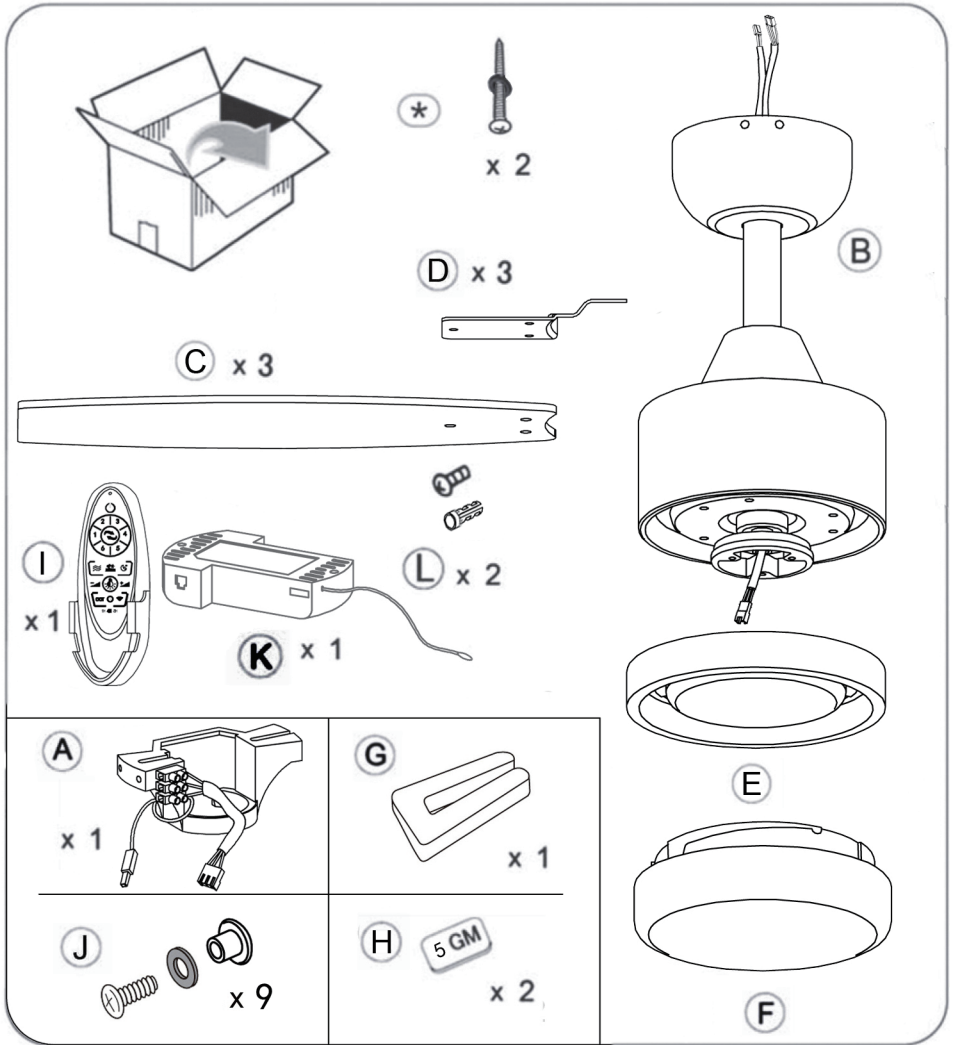
Application		Function			Motor	
Circulating Air m <sup>3</sup> /min	Max Surface in m <sup>2</sup>	Speed Setting	Timer Function yes/no	Seasonal profiles winter/summer/both	Fan Motor AC/DC	Watt Motor
146.8	Lamp 7-12m <sup>2</sup> FAN 7-12m <sup>2</sup>	6	yes	both	DC	40W



**Warnings:**

- Do not poke any objects or fingers through the protective screens
- Do not place any objects, such as clothing, on the device
- Be careful with long hair. These can be sucked in by the air flow, keep sufficient distance.





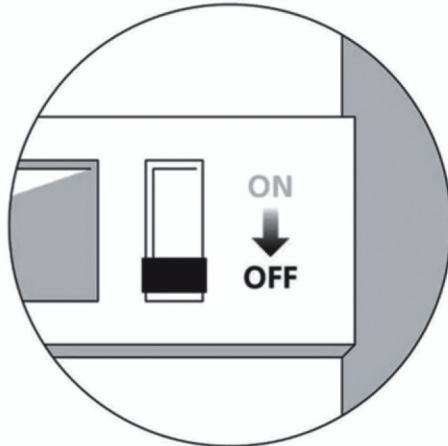
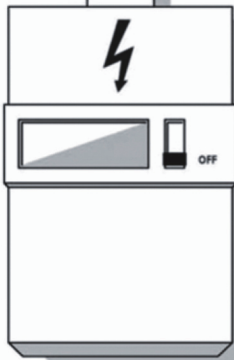
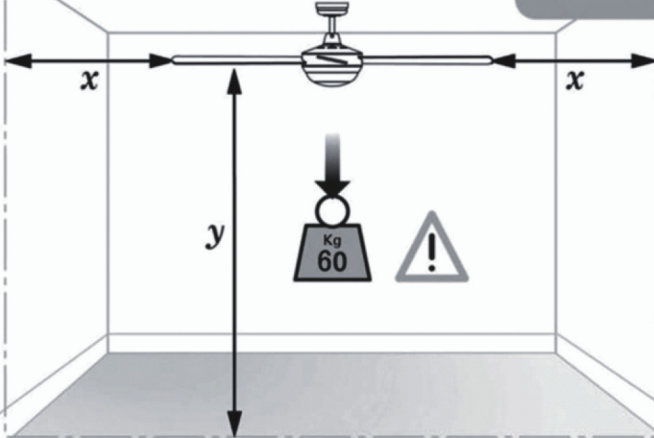
	<p>#8 + -</p>	<p>2h</p>		<p>AAA x2</p>	<p>VC-010-V1.0 18-LED</p>
<p>Not included 36V Max. 24W</p>					



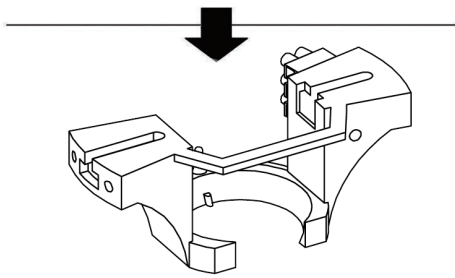
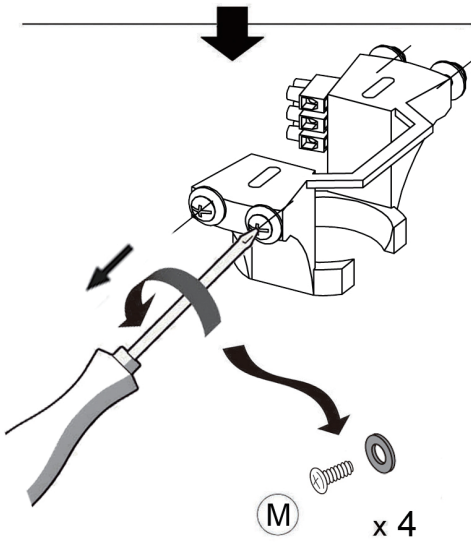
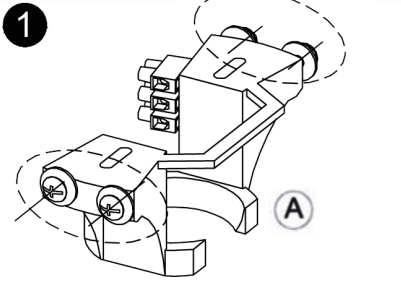
Use screws and dowels suited for your backing



$x > 0,6\text{ m}$   
 $y > 2,3\text{ m}$

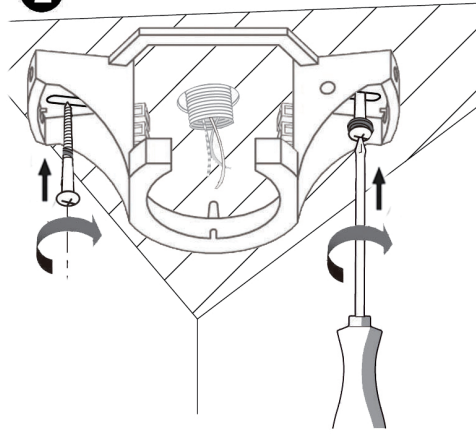


1



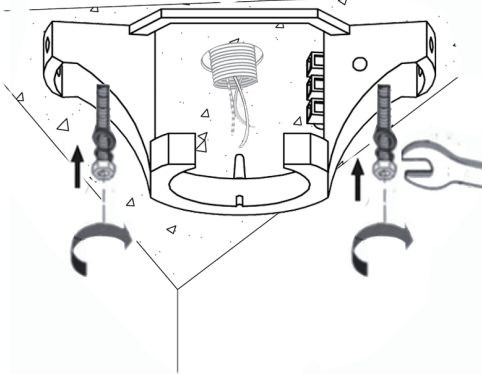
**A** x 1

2



**\*** x 2

OR

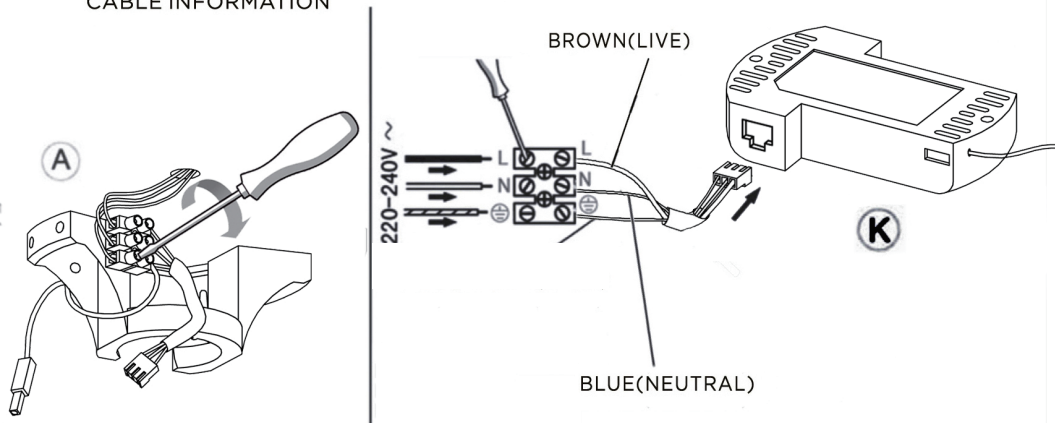


**x 2**

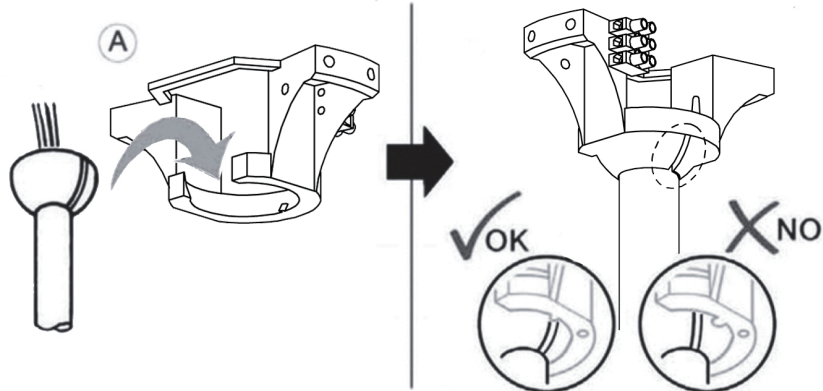
Not included

3

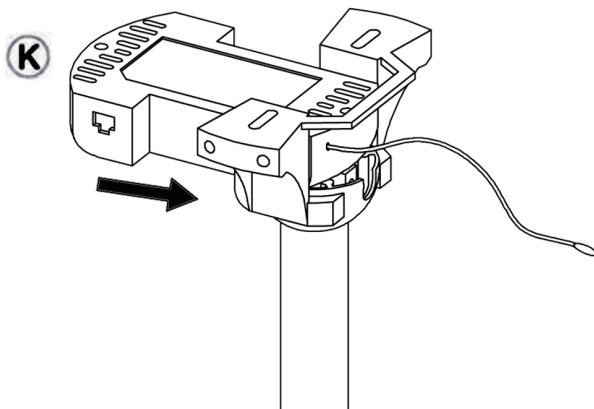
## CABLE INFORMATION



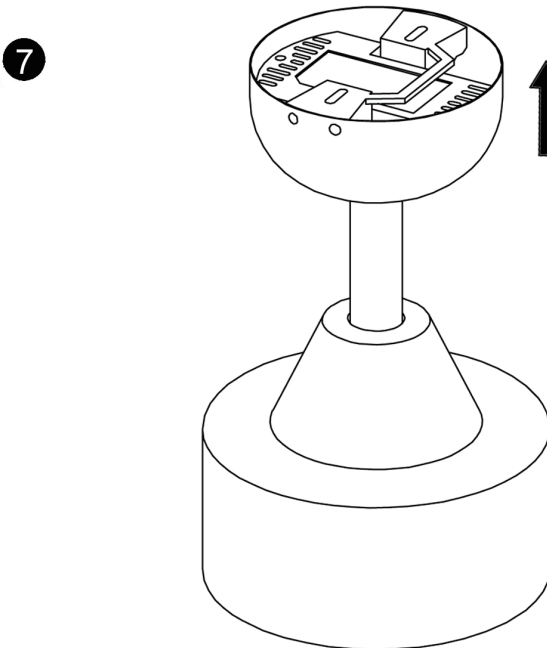
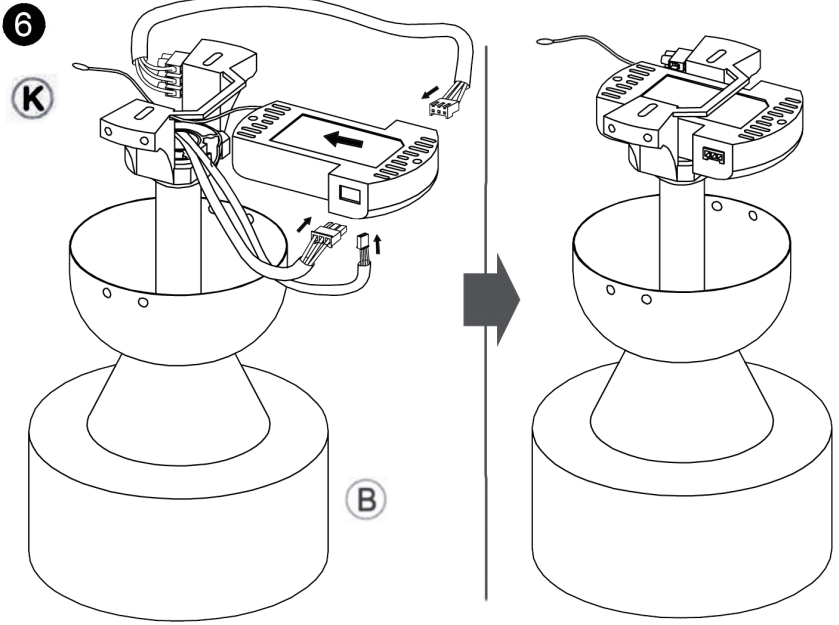
4

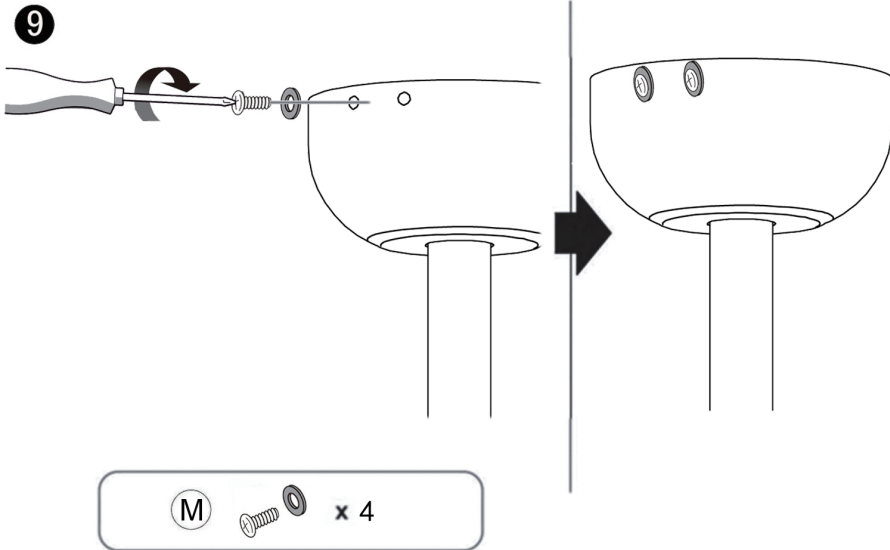
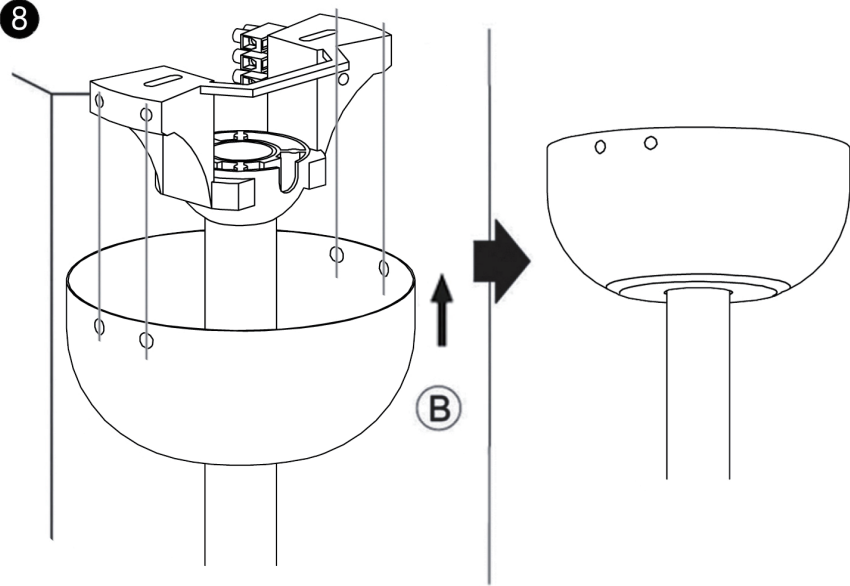


5

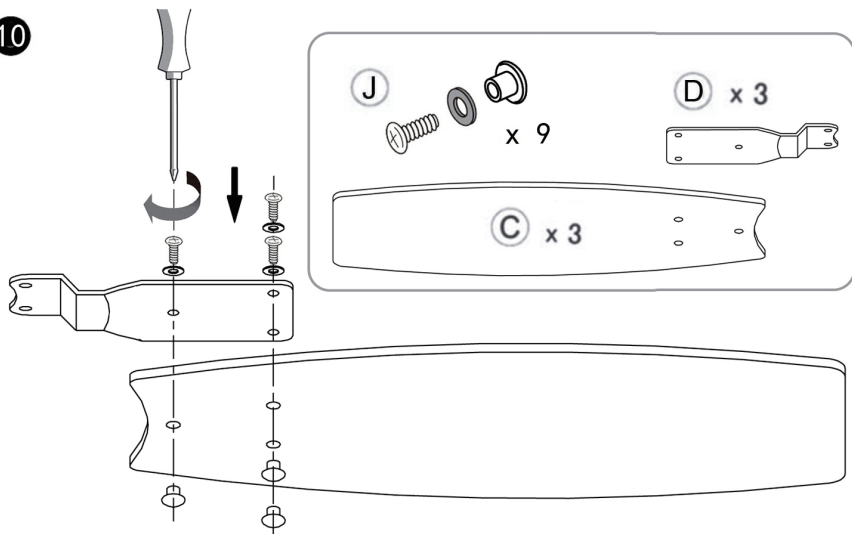


3

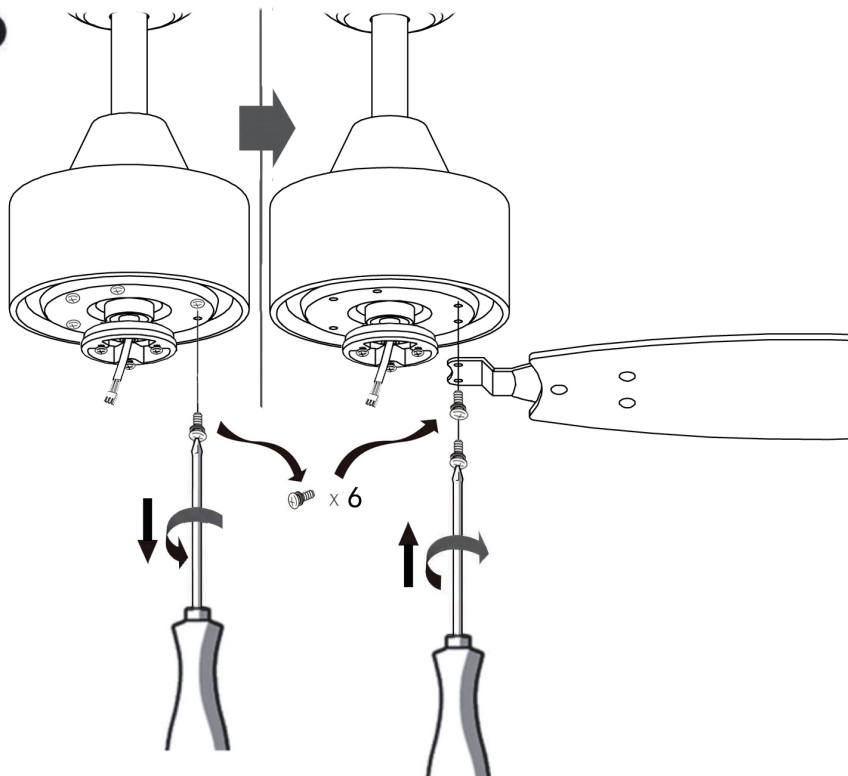




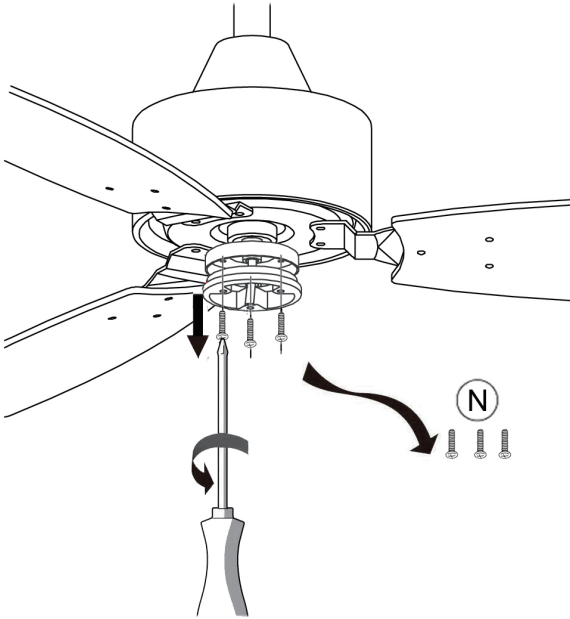
10



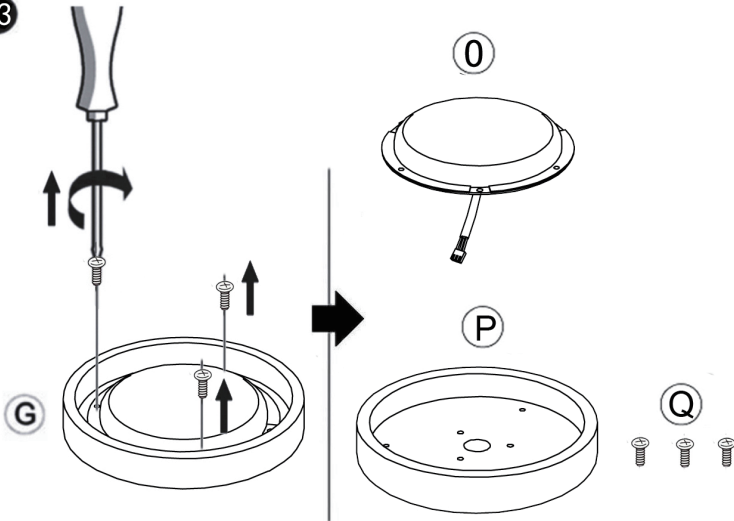
11



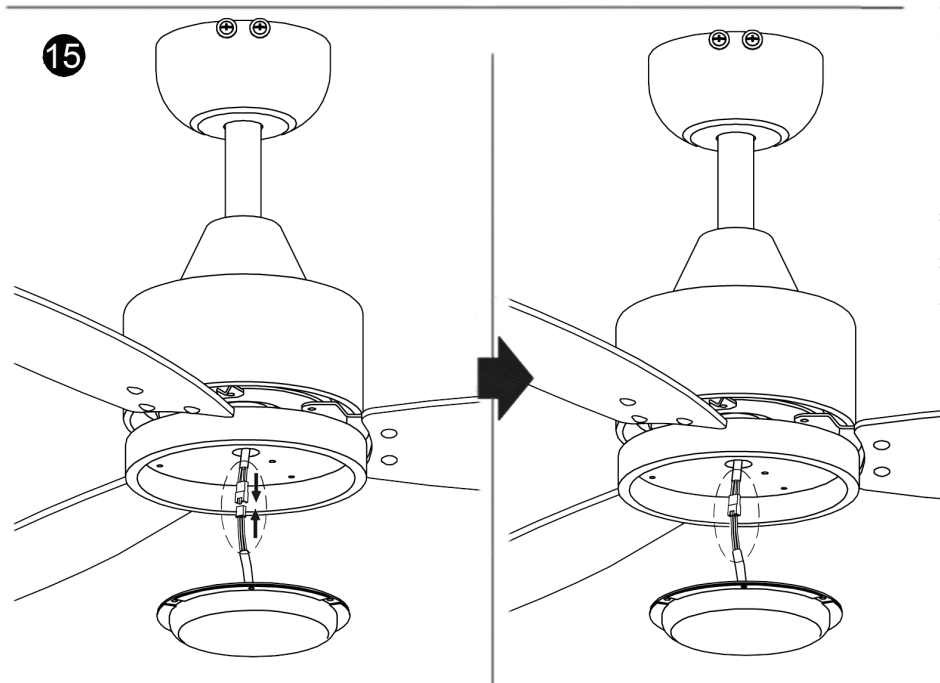
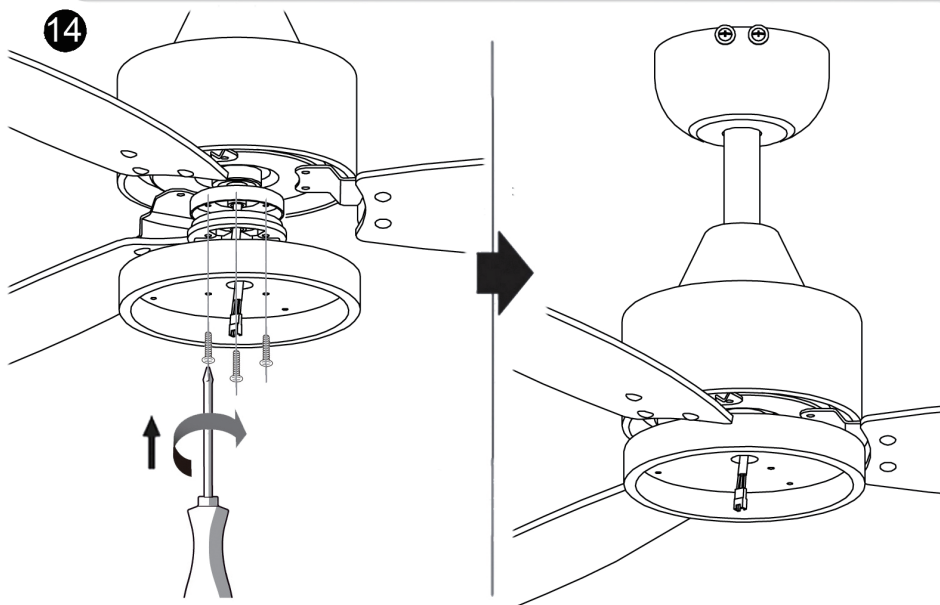
12

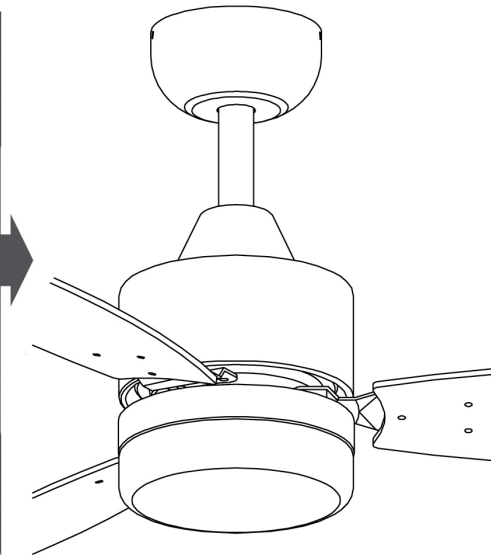
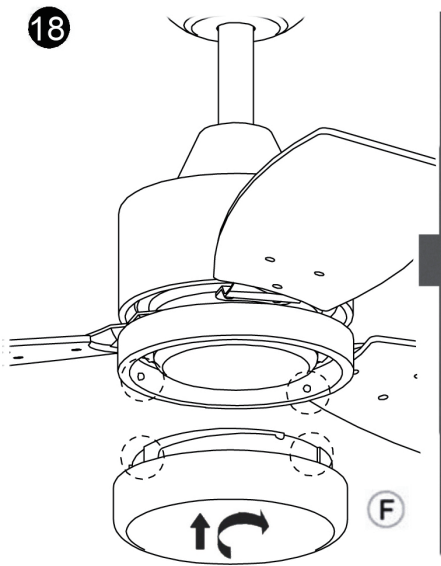
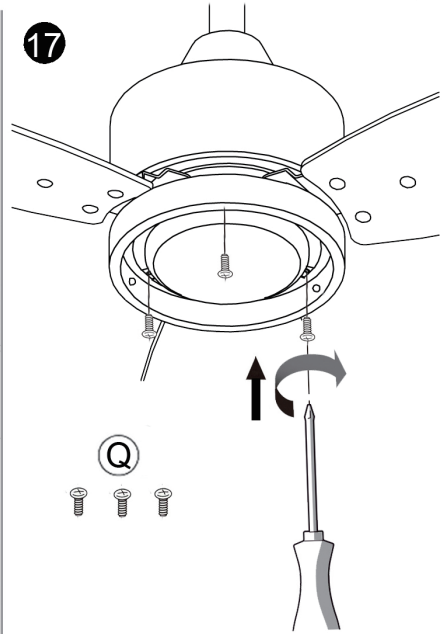
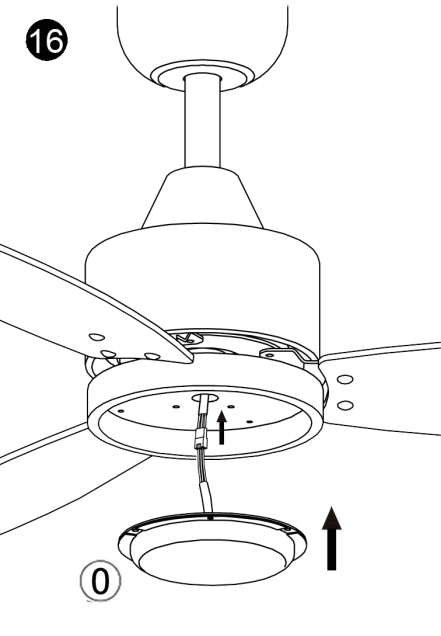


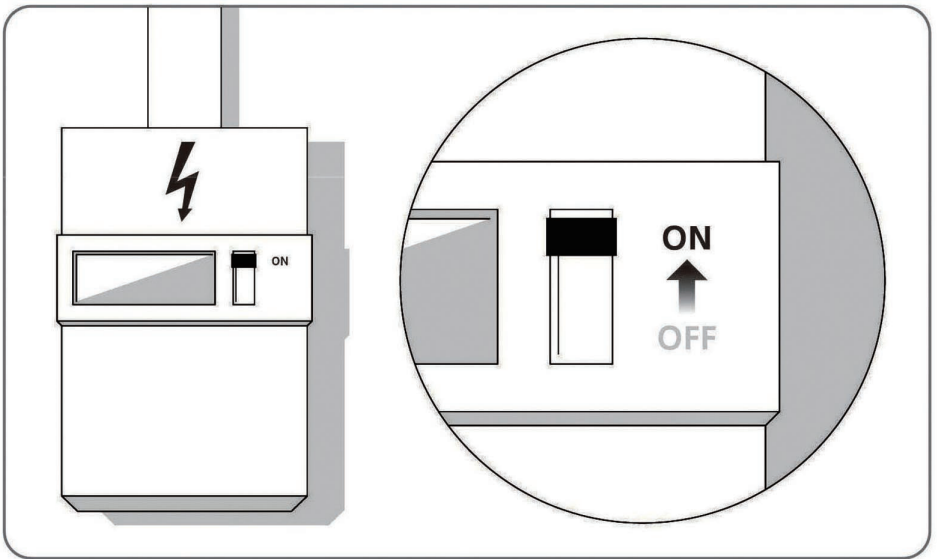
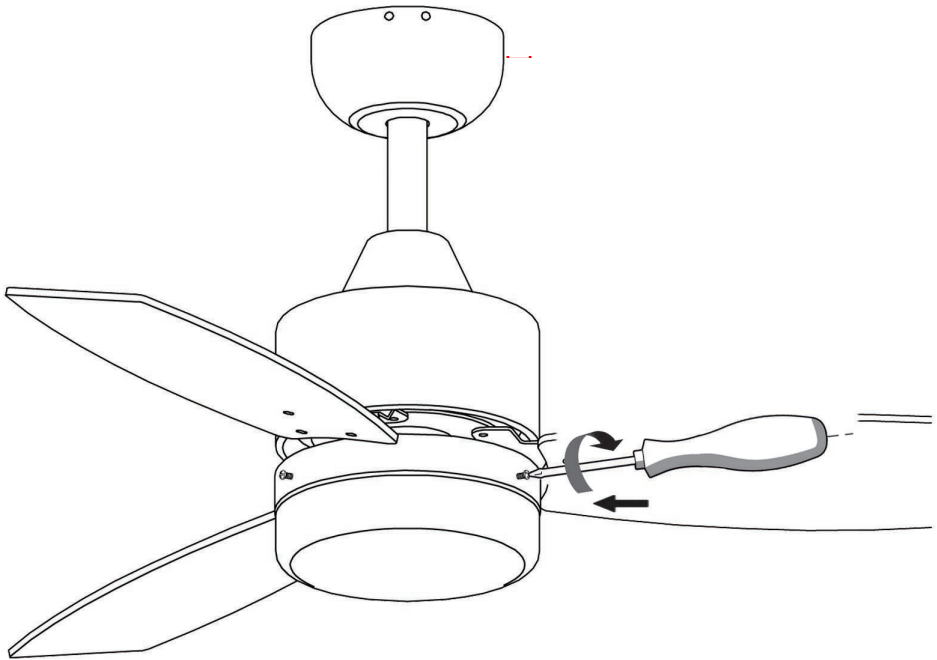
13

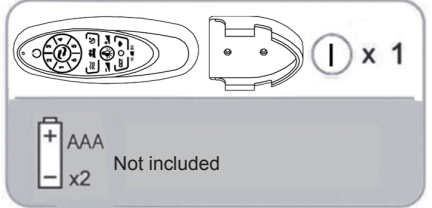
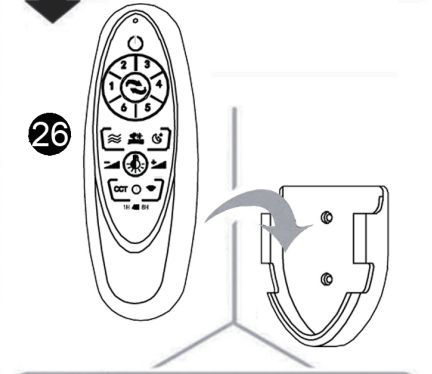
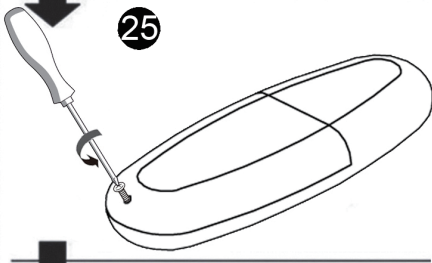
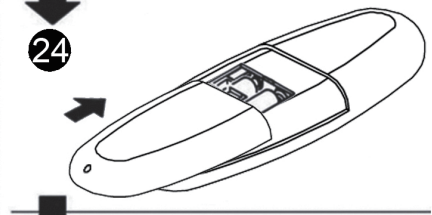
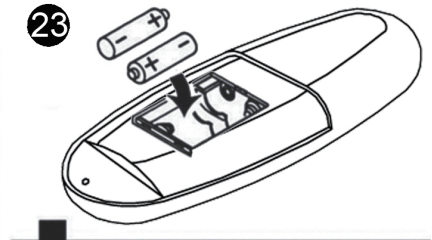
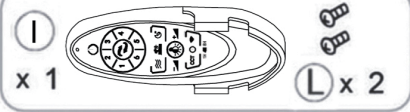
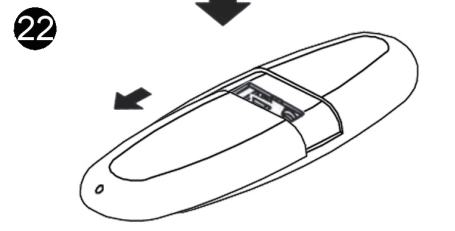
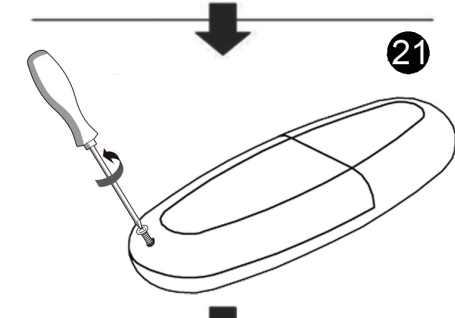
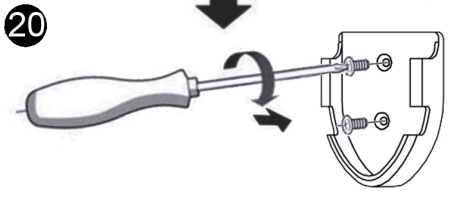
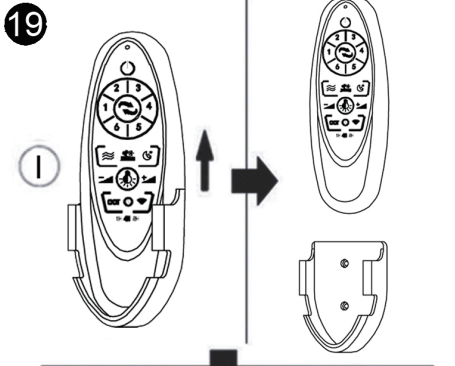























27

①	Button	Function
		Fan On/Off
	1 ~ 6	Speed of the fan
		Direction of the fan (reverse Switch)
		Vacation Mode/Security Deterrent Light (This function is not available on the app)
		Natural Breeze
		Sleep Mode
		Light On/Off
		Turn down the brightness of the light
		Turn up the brightness of the light
	CCT	Short press: 3 segments of color Long press: Infinite color matching
		WiFi connection(Long press for 5 seconds)
	1H 4H 8H	Timing control of the fan Press once set 1H; Press twice set 4H; Press 3 times set 8H
		1.5V AAA battery X2pcs (Not included)

Type number remote:RF

RF frequency range:433.92MHz ,

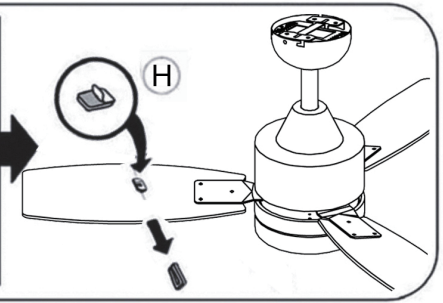
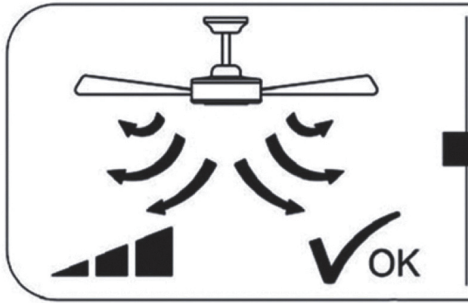
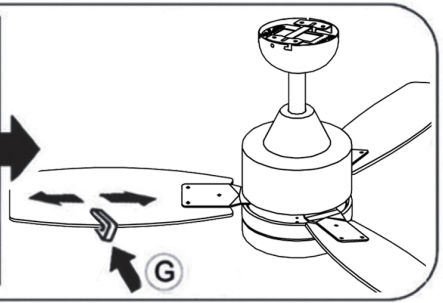
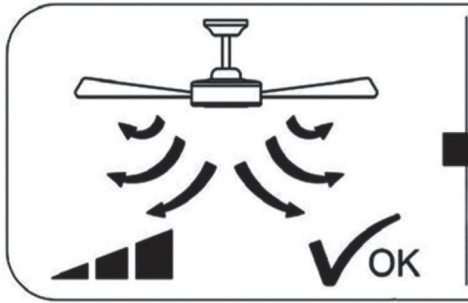
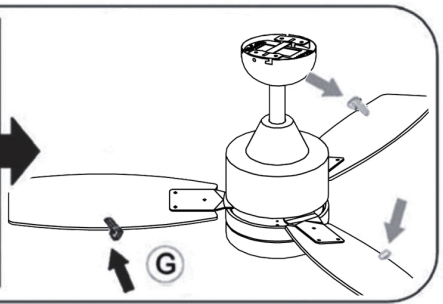
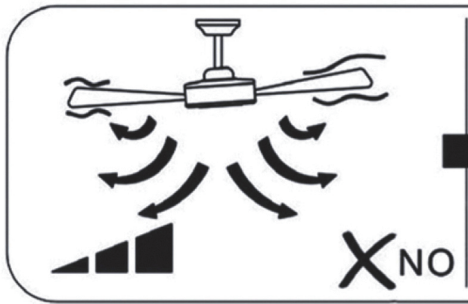
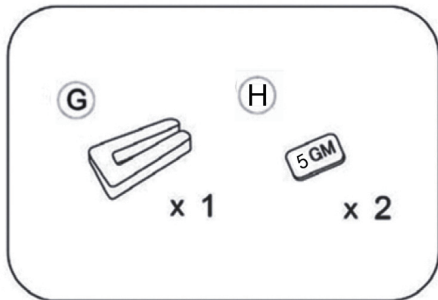
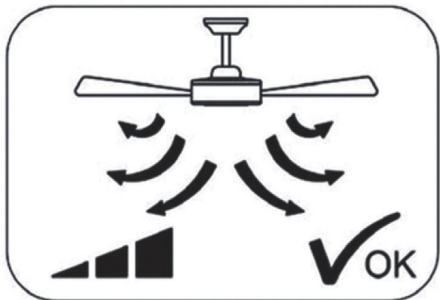
Transmit Power:13dBm.

Coverage area: within 15m in open area

Simplified Declaration of Conformity:

Hereby, FittinQ BV declares that the radio equipment type [designation of type of radio equipment] is in compliance with Directive 2014/53/EU.

The full text of the EU declaration of conformity is available at the following internet address: [www.qazqa.nl](http://www.qazqa.nl)



Please contact the store which you bought the product for after sale services if question

**Information requirements regarding the eco-design**

Description	Symbol	Value	Unit
Maximum fan flow rate	<i>F</i>	146.8	<i>m<sup>3</sup>/min</i>
Fan power input	<i>P</i>	34.6	<i>W</i>
Service value	<i>SV</i>	4.2	<i>(m<sup>3</sup>/min)/W</i>
Standby power consumption	<i>PSB</i>	0.4	<i>W</i>
Seasonal electricity consumption	<i>Q</i>	11.5	<i>kWh/a</i>
Fan sound power level	<i>LWA</i>	53	<i>dB(A)</i>
Maximum air velocity	<i>c</i>	2.5	<i>m/seg</i>
Measurement standard for service	Regulation N° (EU) No 206/2012+(EU)2016/2282 IEC 60879:2019 EN 50564:2011 EN IEC60704-1:2021 EN IEC60704-2-7:2020 [Shall not appear all of these ones, but the same as the ones which are detailed in the ERP test report]		

# SAFETY INSTRUCTION

Please study the instruction manual and below information carefully before installing or using this product. Please keep this user manual for further reference

1. The luminaires may only be installed by authorized and qualified technicians according the valid regulations for electrical installation.
2. Maintenance of the luminaires is limited to their surfaces. During maintenance no moisture can come into contact with any areas of the terminal connections or voltage control parts.
3. The electrical supply must be switched off at the outset, preferably by means of a switch in the distribution box, before any installation, maintenance or repair work is undertaken.
4. Exterior lighting must not be installed during rain.
5. Take account of the minimal separation distance from other objects and the room required around the fitting.
6. If in any doubt, consult a professional, taking local installation requirements into account. Some countries stipulate that lighting may be installed only by registered installers.
7. Clamping screws in electrical connections must be adequately tightened. This is particularly the case with 12V low voltage conductors.
8. Clean with a clean, dry cloth or brush, use no solvents or abrasives. Avoid dampness on all electrical components
9. Take account of all available technical information.
10. Meaning of symbols:



This icon indicates the level of water-proof and dust-proof



Protection Class I: the fitting must be earthed



Protection Class II: the fitting is doubled insulated and does not require earthing



Protection Class III: the fitting is low voltage



Minimum distance from lighted objects (meters)





The type of lamp and maximum size and wattage indicated in each lighting unit must not be exceed; different items require different kind of light sources with different bulb icons



The armature is designed to work only with the indicated voltage. Different items require different working voltage.



The luminaire can be used in combination with a dimmer



The luminaire can be dimmed by wall switch

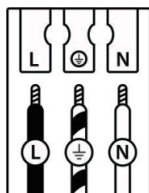


The reference light angle and light space of the luminaire



This luminaire cannot be disposed together with normal domestic waste in standard rubbish can, but you have to bring it to a staging area for electrical waste

11. Take note of the symbols when connecting wires:



	(DE)	(GB)	(FR)	(NL)	(PL)	(NO)	(DK)
<b>L</b>	Stromführender Leiter	Live conductor	Conducteur	Spanningvoerende draad	Przewód prądowy	Strømførende leder	Strømførende leder
	Schutzleiter	Earth conductor	Conducteur de protection (terre)	Aardkabel	Przewód uziemiający	Jordledning	Jordledning
<b>N</b>	Neutralleiter	Neutral conductor	Conducteur neutre	Nulleider	Przewód zerowy	Nøytralleider	Neutralleider
	(SE)	(FI)	(IT)	(ES)	(CZ)	(PT)	(GR)
<b>L</b>	Strömförande ledare	Virtajohdin	Conduttore sotto tensione	Conductor de corriente	Vodič pod napětím	Condutor vivo	Ρευματοφόρος αγωγός
	Skyddsledare	Suojajohdin	Conduttore di terra	Conductor de protección	Ochranný vodič	Condutor de terra	Αγωγός γείωσης
<b>N</b>	Neutralledare	Nollajohdin	Conduttore neutro	Conductor neutro	Neutrální vodič	Condutor neutro	Ουδέτερος αγωγός