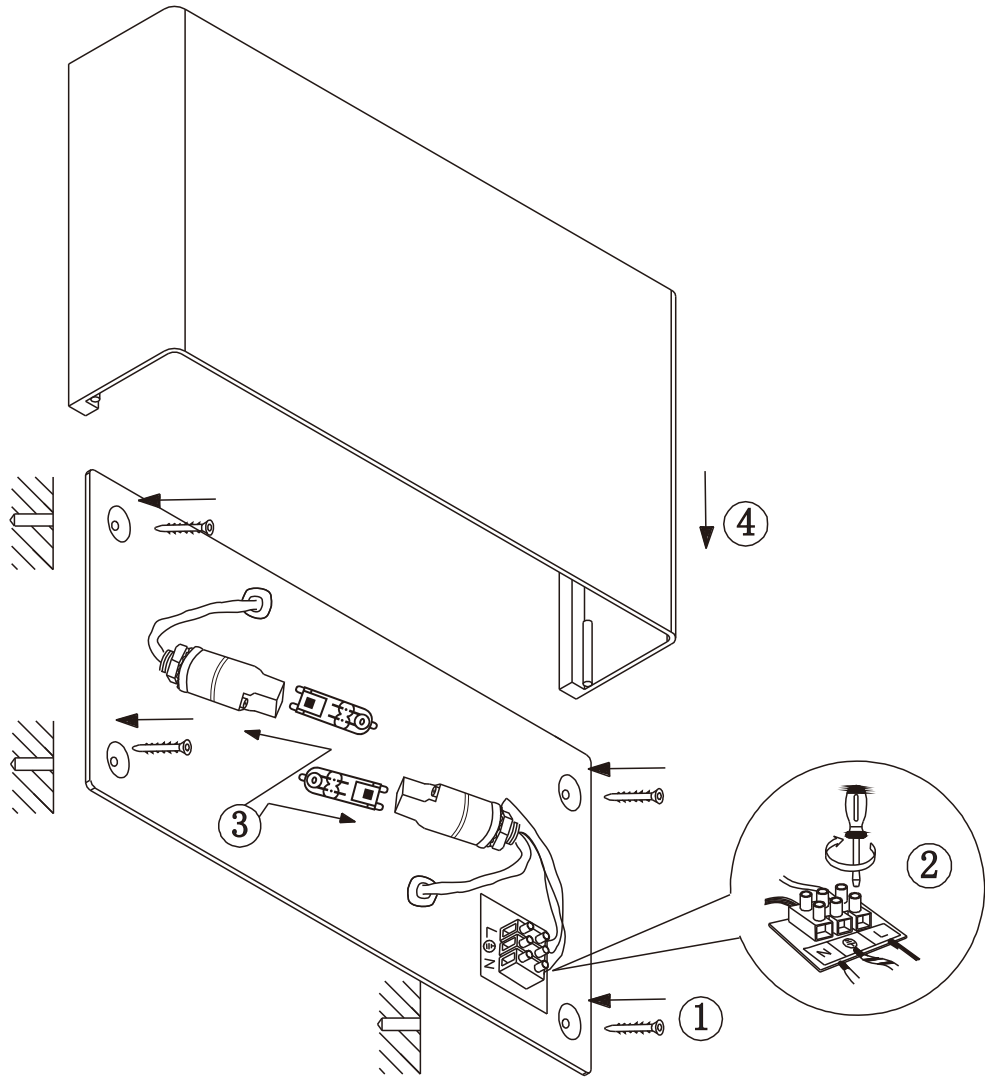
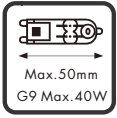


INSTRUCTION MANUAL

Otan WL G9



Overall Sizes:

