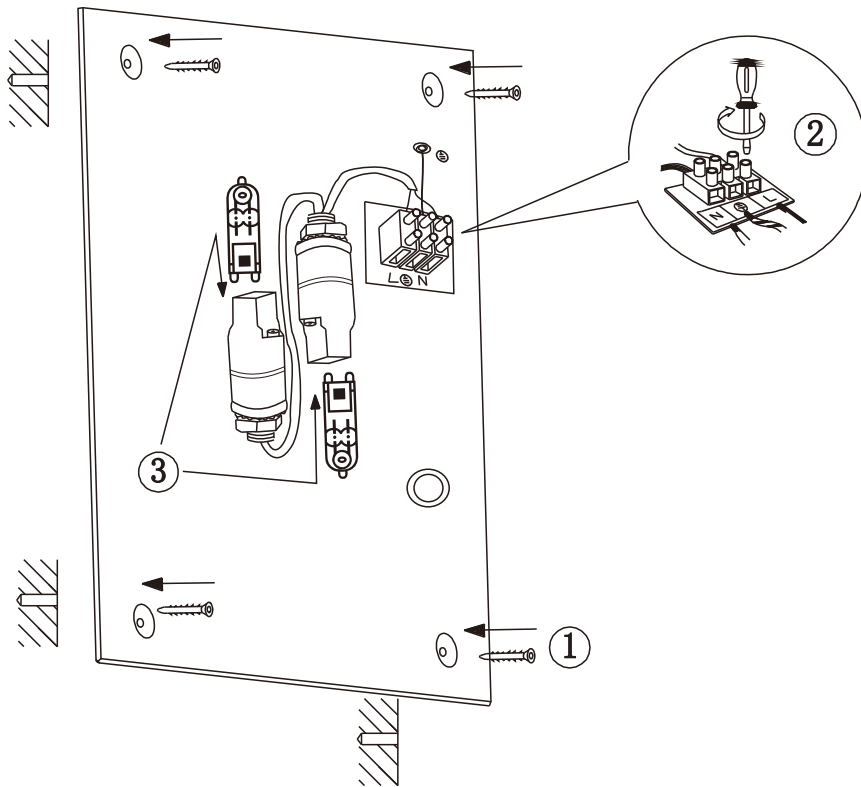
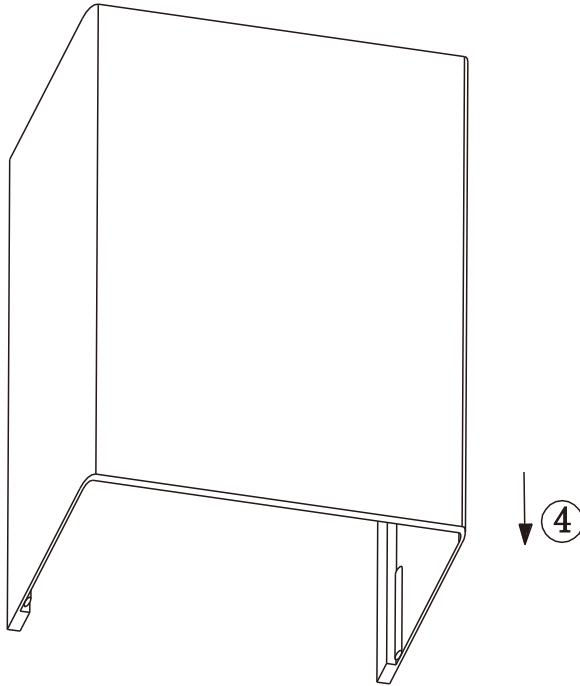
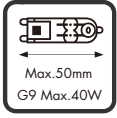


INSTRUCTION MANUAL

Otan S WL G9



Overall Sizes:

