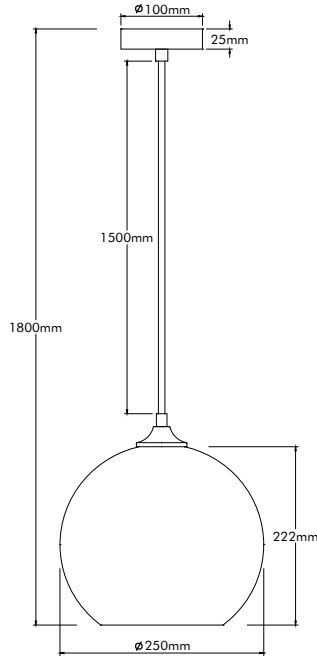


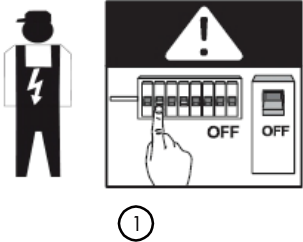
# INSTRUCTION MANUAL



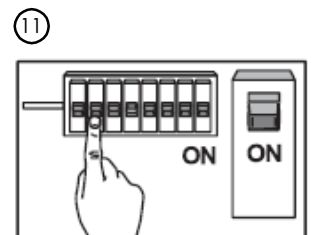
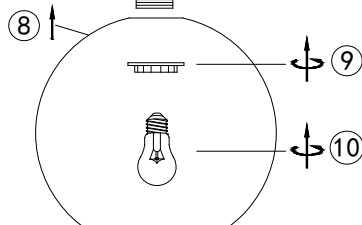
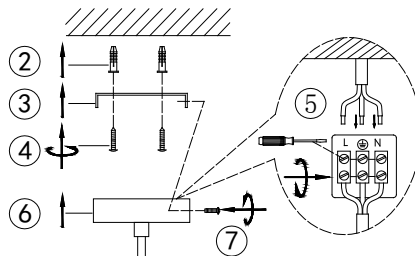
Wallace HL 1 Black Smoke  
105491



INPUT:AC220-240V



①



⑪

**FittinQ B.V.**

Smaragdweg 52, 5527 LB Hapert, The Netherlands  
www.qazqa.nl

QAZQA