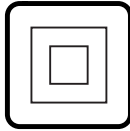
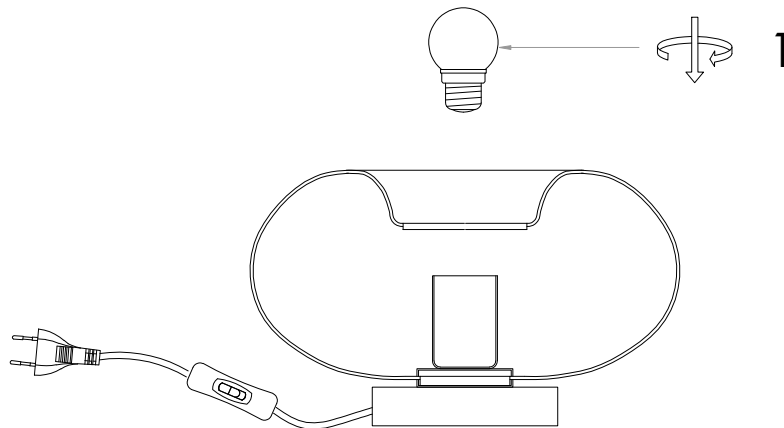


INSTRUCTION MANUAL



Ayesha TL
106821, 106822



Overall Sizes:

