

## INSTRUCTION MANUAL

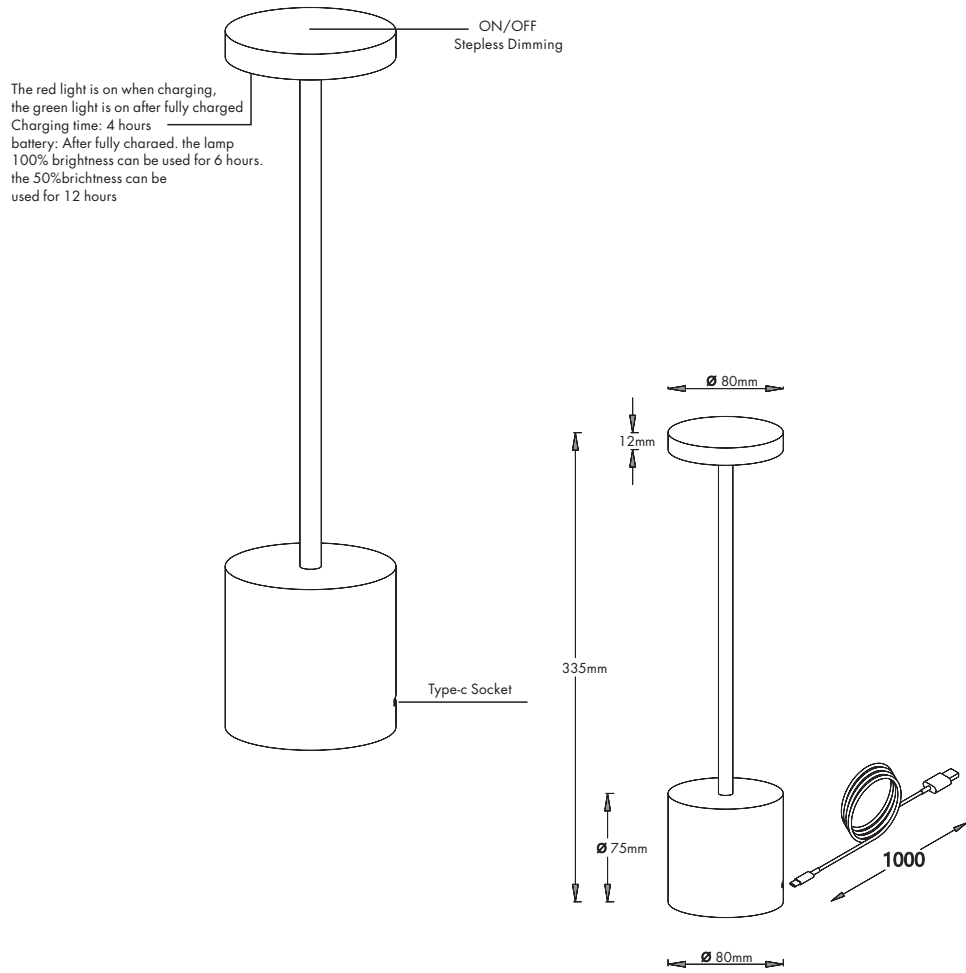
### (NL) Gebruikte symbolen

(GB) Safety Precautions / (FR) Symboles utilisés / (DE) Verwendete Symbole / (PL) Stosowane symbole / (NO) Brukte symboler / (DK) Brugte symboler / (SE) Använda symboler / (FI) Käytetyt symbolit / (IT) Simboli usati / (ES) Símbolos empleados / (CZ) Použité symboly / (PT) Símbolos utilizados / (GR) Χρησιμοποιούμενα σύμβολα



Dupont TL

106799/106800/106801/106802/106803



The red light is on when charging, the green light is on after fully charged  
Charging time: 4 hours  
battery: After fully charged, the lamp 100% brightness can be used for 6 hours, the 50% brightness can be used for 12 hours

**FittinQ B.V.**  
Smaragdweg 52, 5527 LB Hapert,  
The Netherlands  
www.qazqa.nl

**FittinQ LTD**  
55 Baker Street,  
London, W1U 7EU  
United Kingdom

QAZQA

106799/106800/106801/106802/106803

2.5W LED  
incl. LED QL7001247  
DC 5V~2000mA 2x1500mAh /Li-Ion battery

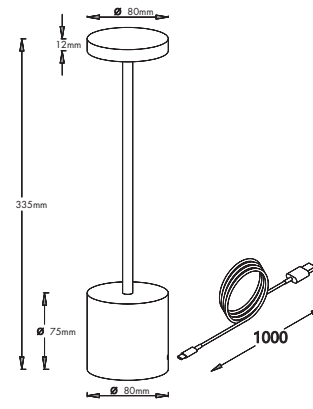


Table lamp  
incl. LED QL7001247  
240lm Module  
124lm Lamp  
2.5W LED Module  
2.06W Lamp  
DC 5V~2000mA  
2x1500mAh/Li-Ion battery  
3000K  
CRI>80  
30000h  
15000 ON/OFF

(DE) Dieses Produkt enthält eine Lichtquelle der Energieeffizienzklasse F  
(EN) This product contains a light source of energy efficiency class F  
(FR) Ce produit comprend une source de lumière de classe d'efficacité énergétique F  
(NL) Dit product bevat een lichtbron van energie-efficiëntieklasse F  
(PL) Produkt ten zawiera źródło światła o klasie efektywności energetycznej F  
(NO) Dette produktet inneholder en lyskilde i energieeffektivitetsklasse F  
(DK) Dette produkt indeholder en lyskilde af energieeffektivitetsklasse F  
(SE) Denna produkt innehåller en ljuskälla i energieeffektivitetsklass F  
(FI) Tämä tuote sisältää energiatehokkuusluokan F valonlähteen  
(IT) Questo prodotto contiene una sorgente luminosa della classe di efficienza energetica F  
(ES) Este producto contiene una fuente de luz de la clase de eficiencia energética F  
(CZ) Tento výrobek obsahuje světelný zdroj třídy energetické účinnosti F  
(PT) Este produto contém uma fonte de luz da classe de eficiência energética F  
(GR) Αυτό το προϊόν περιέχει μια φωτεινή πηγή ενεργειακής απόδοσης κλάσης F  
(SK) Tento výrobok obsahuje zdroj svetla triedy energetickej efektivity F

QR	EAN
	106799-
	8718881150708
	106800-
	8718881150715
	106801-
	8718881150722
106802-	
8718881150739	
106803-	
8718881150746	

(DE) Durch einen Fachmann austauschbare Lichtquelle (nur LED).  
(EN) Replaceable (LED only) light source by a professional.  
(FR) Source de lumière remplaçable (LED uniquement) par un professionnel.  
(NL) Lichtbron (alleen led) te vervangen door een professional.  
(PL) Wymienne (tylko LED) źródło światła wykonane przez profesjonalistę.  
(NO) Utskiftbar (kun LED) lyskilde av en profesjonell.  
(DK) Udskiftelig lyskilde (kun LED), udskiftes af en elektriker.  
(SE) Ljuskälla (endast LED) utbytbar genom fackman.  
(FI) Ammattilainen voi vaihtaa vaihdettavan (vain LED) valonlähteen.  
(IT) Sorgente luminosa (solo LED) sostituibile da un professionista.  
(ES) Fuente de luz (solo LED) sustituible por un profesional.  
(CZ) Výměnitelný (pouze LED) světelný zdroj odborníkem.  
(PT) Luz LED (apenas LED) substituível por um profissional.  
(GR) Η πηγή φωτός (μόνο LED) να αντικαθίσταται από επαγγελματία.  
(SK) Zdroj svetla (iba LED) vymeniteľný prostredníctvom odborníka.

(DE) Durch einen Fachmann austauschbares Betriebsgerät.  
(EN) Replaceable control gear by a professional.  
(FR) Contrôleur remplaçable par un professionnel.  
(NL) Voorschakelapparatuur te vervangen door een professional.  
(PL) Wymienny układ sterujący przez profesjonalistę.  
(NO) Utskiftbar kontrollstyr av en profesjonell.  
(DK) Udskiftelig igangsætter, udskiftes af en elektriker.  
(SE) Styrdon utbytbar genom fackman.  
(FI) Ammattilainen voi vaihtaa vaihdettavat ohjaukslaitteet.  
(IT) Dispositivo di controllo sostituibile da un professionista.  
(ES) Dispositivo de control sustituible por un profesional.  
(CZ) Výměnitelný předřadník odborníkem.  
(PT) Dispositivo de controlo substituível por um profissional.  
(GR) Ο έλεγχος ελέγχου να αντικαθίσταται από επαγγελματία.  
(SK) Predradník vymeniteľný prostredníctvom odborníka.

**FittinQ B.V.**  
Smaragdweg 52, 5527 LB Hapert,  
The Netherlands  
www.qazqa.nl

**FittinQ LTD**  
55 Baker Street,  
London, W1U 7EU  
United Kingdom

QAZQA

## SAFETY INSTRUCTION

Please study the instruction manual and below information carefully before installing or using this product.  
Please keep this user manual for further reference

- The luminaires may only be installed by authorized and qualified technicians according to the valid regulations for electrical installation.
- Maintenance of the luminaires is limited to their surfaces. During maintenance no moisture can come into contact with any areas of the terminal connections or voltage control parts.
- The electrical supply must be switched off at the outset, preferably by means of a switch in the distribution box, before any installation, maintenance or repair work is undertaken.
- Exterior lighting must not be installed during rain.
- Take account of the minimal separation distance from other objects and the room required around the fitting.
- If in any doubt, consult a professional, taking local installation requirements into account. Some countries stipulate that lighting may be installed only by registered installers.
- Clamping screws in electrical connections must be adequately tightened. This is particularly the case with 12V low voltage conductors.
- Clean with a clean, dry cloth or brush, use no solvents or abrasives. Avoid dampness on all electrical components
- Take account of all available technical information.
- Meaning of symbols:

- For indoor use only, where direct contact with water is impossible
- This icon indicates the level of water-proof and dust-proof
- Protection Class I: the fitting must be earthed
- Protection Class II: the fitting is doubled insulated and does not require earthing
- Protection Class III: the fitting is low voltage
- Minimum distance from lighted objects (meters)
- The type of lamp and maximum size and wattage indicated in each lighting unit must not be exceeded; different items require different kind of light sources with different bulb icons
- The armature is designed to work only with the indicated voltage. Different items require different working voltage.
- The luminaire can be used in combination with a dimmer
- The reference light angle and light space of the luminaire
- This luminaire cannot be disposed together with normal domestic waste in standard rubbish can, but you have to bring it to a staging area for electrical waste

- Take note of the symbols when connecting wires:

	(DE)	(GB)	(FR)	(NL)	(PL)	(NO)	(DK)
	Stromführender Leiter	Live conductor	Conducteur	Spanningvoerende draad	Przewód prądowy	Strømførende leder	Strømførende leder
	Schutzleiter	Earth conductor	Conducteur de protection (terre)	Aardkabel	Przewód uziemiający	Jordledningen	Jordledningen
	Neutralleiter	Neutral conductor	Conducteur neutre	Nullleider	Przewód zerowy	Nøytralleder	Neutralleder
	(SE)	(FI)	(IT)	(ES)	(CZ)	(PT)	(GR)
	Strömförande ledare	Virtajohdin	Conduttore sotto tensione	Conductor de corriente	Vodič pod napětím	Condutor vivo	Ρευματοφόρος αγωγός
	Skyddsledare	Suojajohdin	Conduttore di terra	Conductor de protección	Ochranný vodič	Condutor de terra	Αγωγός γείωσης
	Neutralledare	Nollajohdin	Conduttore neutro	Conductor neutro	Neutrální vodič	Condutor neutro	Ουδέτερος αγωγός

**FittinQ B.V.**  
Smaragdweg 52, 5527 LB Hapert, The Netherlands  
www.qazqa.nl

QAZQA