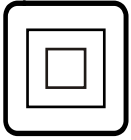
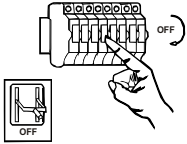


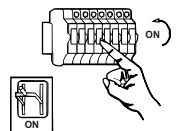
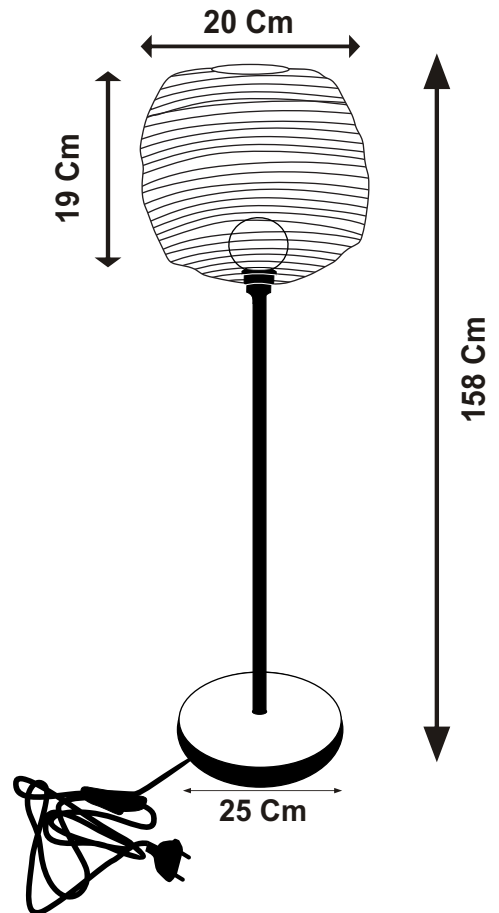
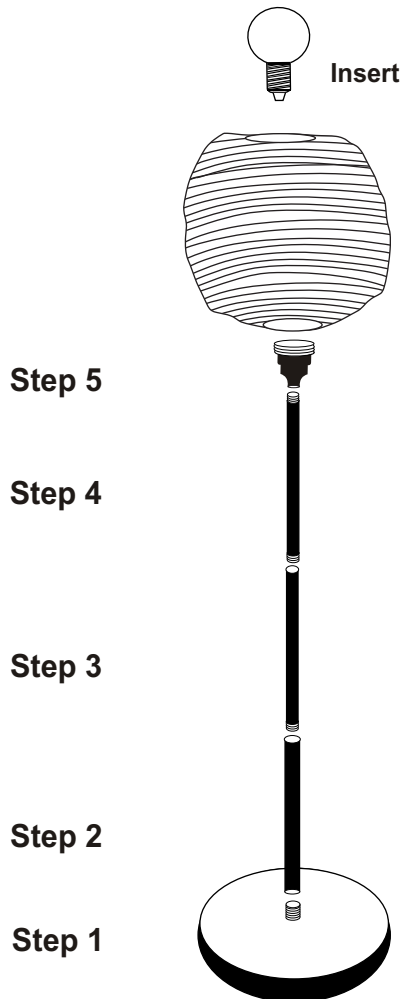
# INSTRUCTION MANUAL



## Sarella FL 20 Black Gold 106469



## Final Product



**FittinQ B.V.**

Smaragdweg 52, 5527 LB Hapert, The Netherlands  
www.qazqa.nl

QAZQA