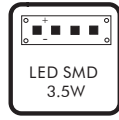
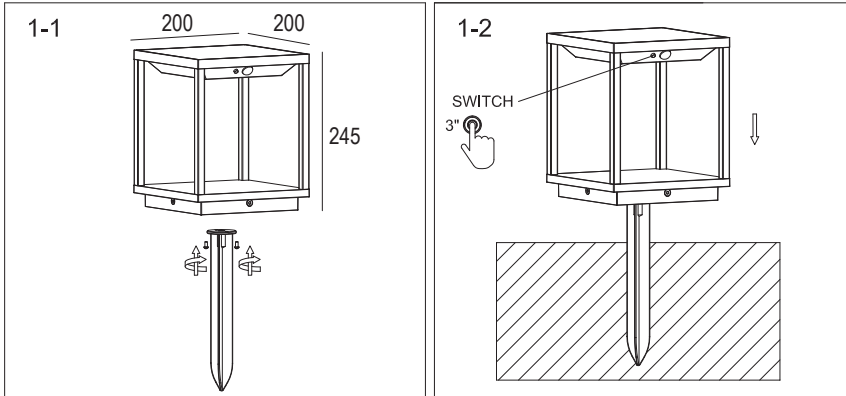


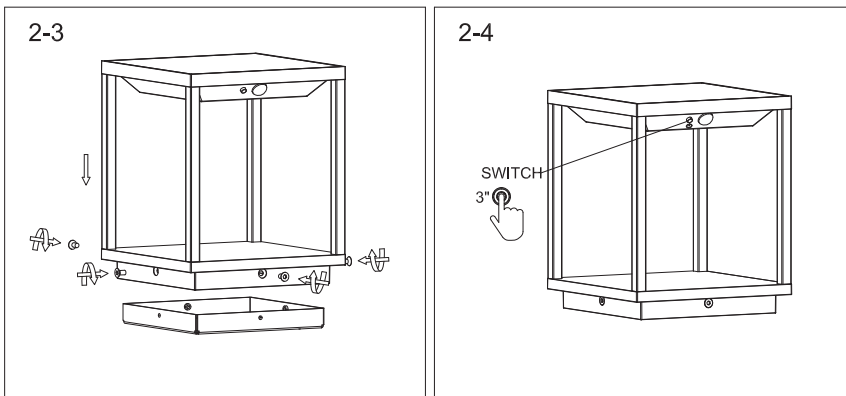
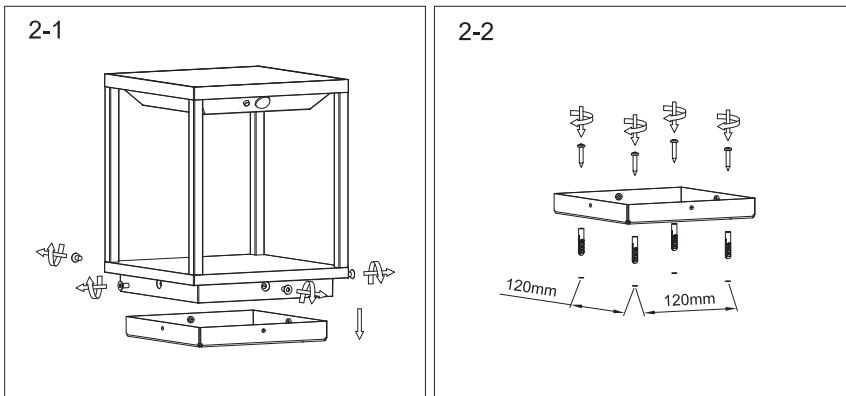
INSTRUCTION MANUAL



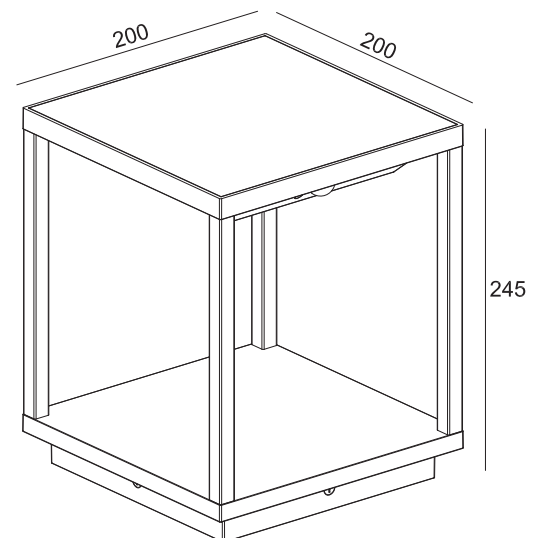
Volendam FL Solar PIR Dark Grey
105691



Installation 2



Overall Sizes:



FittinQ B.V.

Smaragdweg 52, 5527 LB Hapert, The Netherlands
www.qazqa.nl

QAZQA



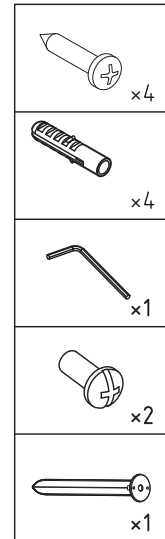
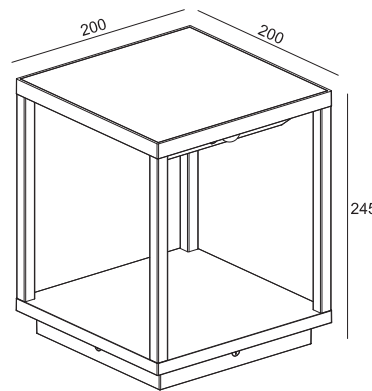
1. Use as directed:

This product serves exclusively lighting purposes and may:

- not be exposed to strong mechanical loads or to strong contamination.
- only be installed and operated after a condition inspection if the product is dirty or has been moistened through storage.

2. Technical Data:

- Operating voltage: DC3.7V
- Luminous flux: 163LM
- LED: PHILIP 3014 / 36PCS
- Solar panel: Poly. 2W
- Battery: 18650 / 2x2200mAH
- Charge: 6-8H (Sunshine)
- Work time: Full light 3.5-4H, Micro light 25H~30H
- class: III
- Safety type: IP54

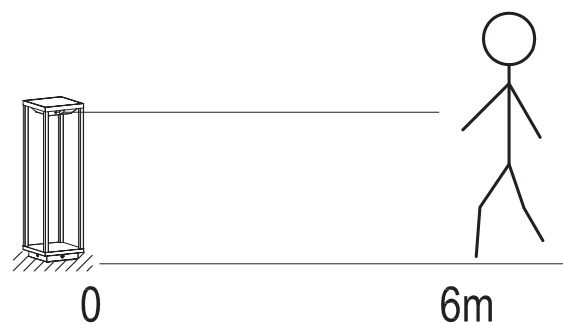


3. Assembly

- 1) There is two version to install: one is installing with spike to fix in the soil. The other is installing with screw to fix on the cement ground;
- 2) Please put the product in the position with enough sunshine, Touch the switch for 3S after installing, Blue light on, the lighting is up completely and last for 50S;
- 3) If there is no person passing by, lighting is up little (15%), Otherwise light up completely;
- 4) Use only parts, which belong to the product! Otherwise the product or the installation might not be sufficiently safe.

4. Sensor information

- 1) If environment is more than 20lux, the Product is charging; Lighting is off;
- 2) Detection angle: 120°;
- 3) Detection distance: ≤ 6M.



5. Attention:

- 1) Battery have the function of overcharge and discharge protection;
- 2) Please do not change anything of Solar panel or battery;
- 3) Please understand that the work time will be effected when sunshine is not enough (rainy ,cloudy or winter).
- 4) It needs to clean the surface of battery usually.

FittinQ B.V.

Smaragdweg 52, 5527 LB Hapert, The Netherlands
www.qazqa.nl

QAZQA

SAFETY INSTRUCTION

Please study the instruction manual and below information carefully before installing or using this product.
Please keep this user manual for further reference

1. The luminaires may only be installed by authorized and qualified technicians according the valid regulations for electrical installation.
2. Maintenance of the luminaires is limited to their surfaces. During maintenance no moisture can come into contact with any areas of the terminal connections or voltage control parts.
3. The electrical supply must be switched off at the outset, preferably by means of a switch in the distribution box, before any installation, maintenance or repair work is undertaken.
4. Exterior lighting must not be installed during rain.
5. Take account of the minimal separation distance from other objects and the room required around the fitting.
6. If in any doubt, consult a professional, taking local installation requirements into account. Some countries stipulate that lighting may be installed only by registered installers.
7. Clamping screws in electrical connections must be adequately tightened. This is particularly the case with 12V low voltage conductors.
8. Clean with a clean, dry cloth or brush, use no solvents or abrasives. Avoid dampness on all electrical components
9. Take account of all available technical information.
10. Meaning of symbols:



For indoor use only, where direct contact with water is impossible



This icon indicates the level of water-proof and dust-proof



Protection Class I: the fitting must be earthed



Protection Class II: the fitting is doubled insulated and does not require earthing



Protection Class III: the fitting is low voltage



Minimum distance from lighted objects (meters)



The type of lamp and maximum size and wattage indicated in each lighting unit must not be exceed; different items require different kind of light sources with different bulb icons



The armature is designed to work only with the indicated voltage. Different items require different working voltage.



The luminaire can be used in combination with a dimmer

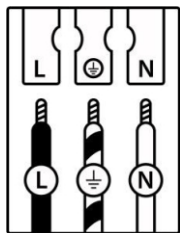


The reference light angle and light space of the luminaire



This luminaire cannot be disposed together with normal domestic waste in standard rubbish can, but you have to bring it to a staging area for electrical waste

11. Take note of the symbols when connecting wires:



	(DE)	(GB)	(FR)	(NL)	(PL)	(NO)	(DK)
L	Stromführender Leiter	Live conductor	Conducteur	Spanningvoerende draad	Przewód prądowy	Strømførende leder	Strømførende leder
	Schutzleiter	Earth conductor	Conducteur de protection (terre)	Aardkabel	Przewód uziemiający	Jordledningen	Jordledningen
N	Neutralleiter	Neutral conductor	Conducteur neutre	Nulleider	Przewód zerowy	Nøytralleder	Neutralleider
	(SE)	(FI)	(IT)	(ES)	(CZ)	(PT)	(GR)
L	Strömförande ledare	Virtajohdin	Conduttore sotto tensione	Conductor de corriente	Vodič pod napětím	Condutor vivo	Ρευματοφόρος αγωγός
	Skyddsledare	Suojajohdin	Conduttore di terra	Conductor de protección	Ochranný vodič	Condutor de terra	Αγωγός γείωσης
N	Neutralledare	Nollajohdin	Conduttore neutro	Conductor neutro	Neutrální vodič	Condutor neutro	Ουδέτερος αγωγός

FittinQ B.V.

Smaragdweg 52, 5527 LB Hapert, The Netherlands
www.qazqa.nl

QAZQA