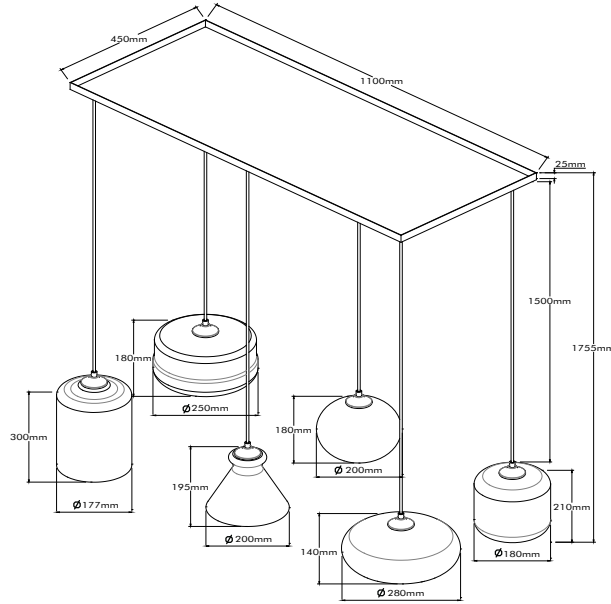


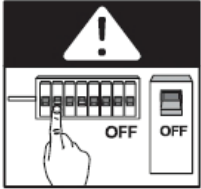
INSTRUCTION MANUAL



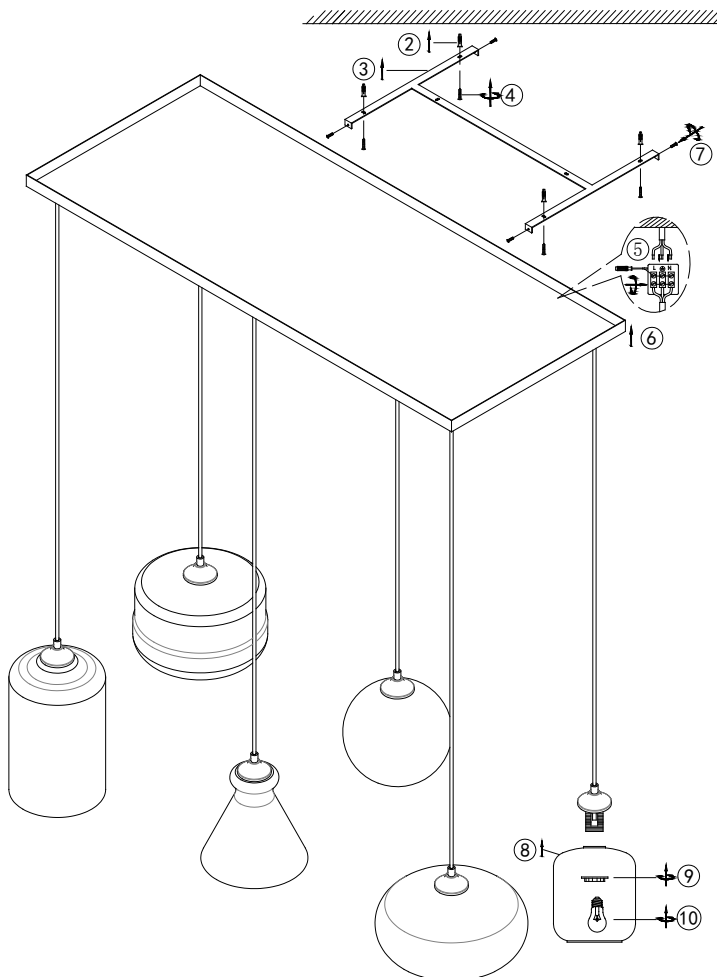
Wallace HL 6 Black Smoke
105487



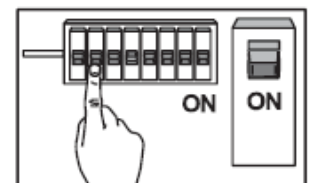
INPUT: AC220-240V



①



⑪



FittinQ B.V.

Smaragdweg 52, 5527 LB Hapert, The Netherlands
www.qazqa.nl

QAZQA