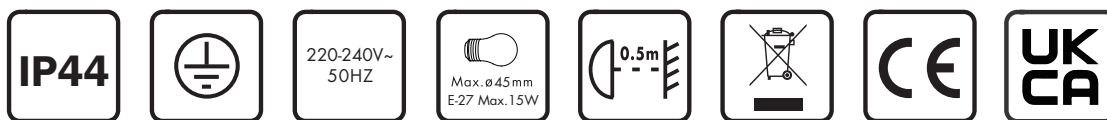
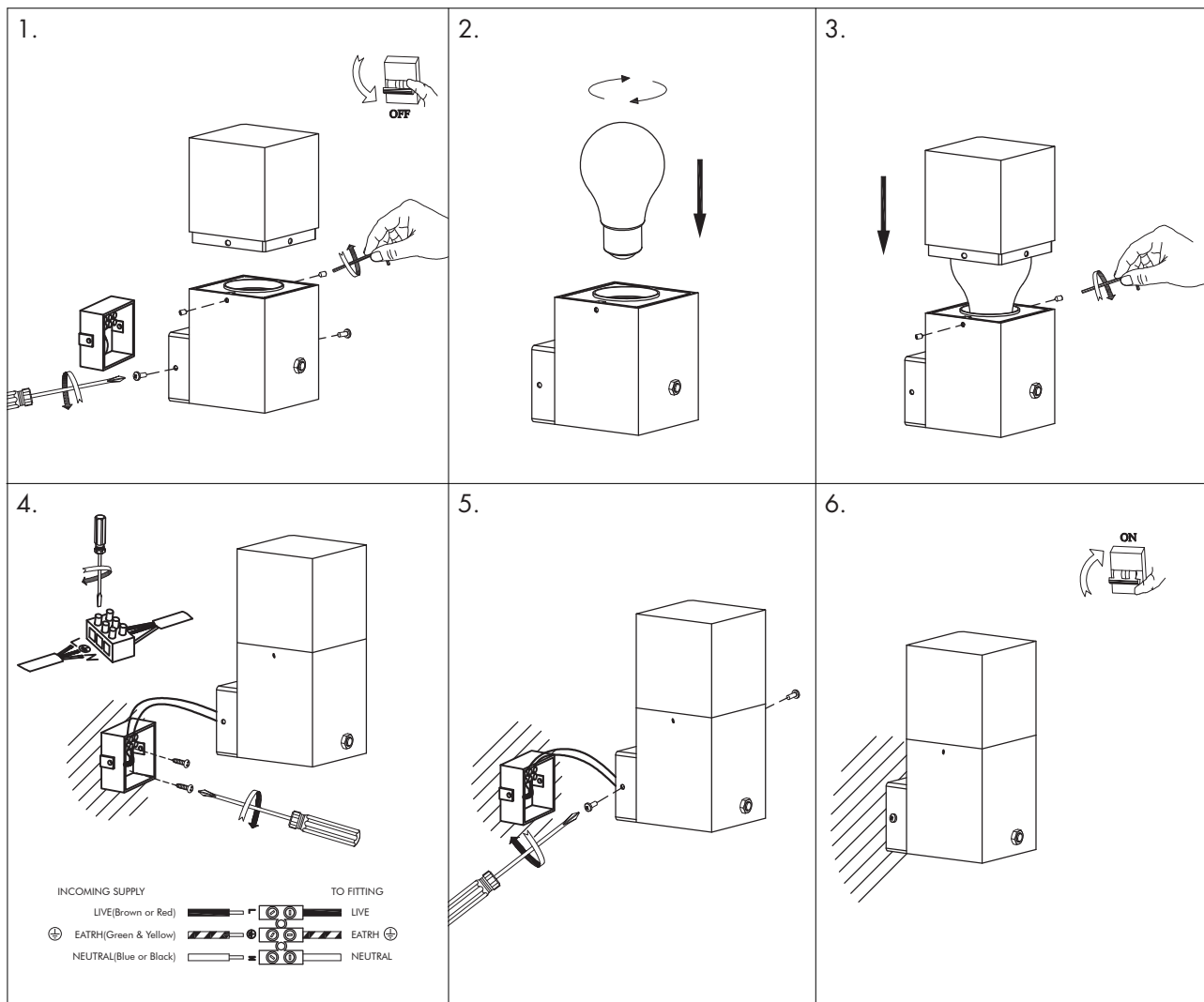


# INSTRUCTION MANUAL



Denmark WL 1 Black Smoke LUX  
104337



**Important:** Product must be installed by a qualified electrician

**Automatic:** Fitting will operate on and off automatically at dusk and dawn.

**Time Delay:** Fitting incorporates a time delay to prevent accidental trigger operation by car headlight and flashes.  
Pre-set 15-30sec delay to avoid false trigger (approx.).

**Ambient Light:** 5~45Lumen (approx.).

\* Avoid a position where direct light from another source can fall on the control.  
Position out of direct sunlight if possible (not essential).

**Overall Size:**

11.7CM      8.3CM      18.7CM