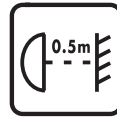
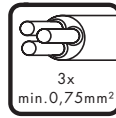
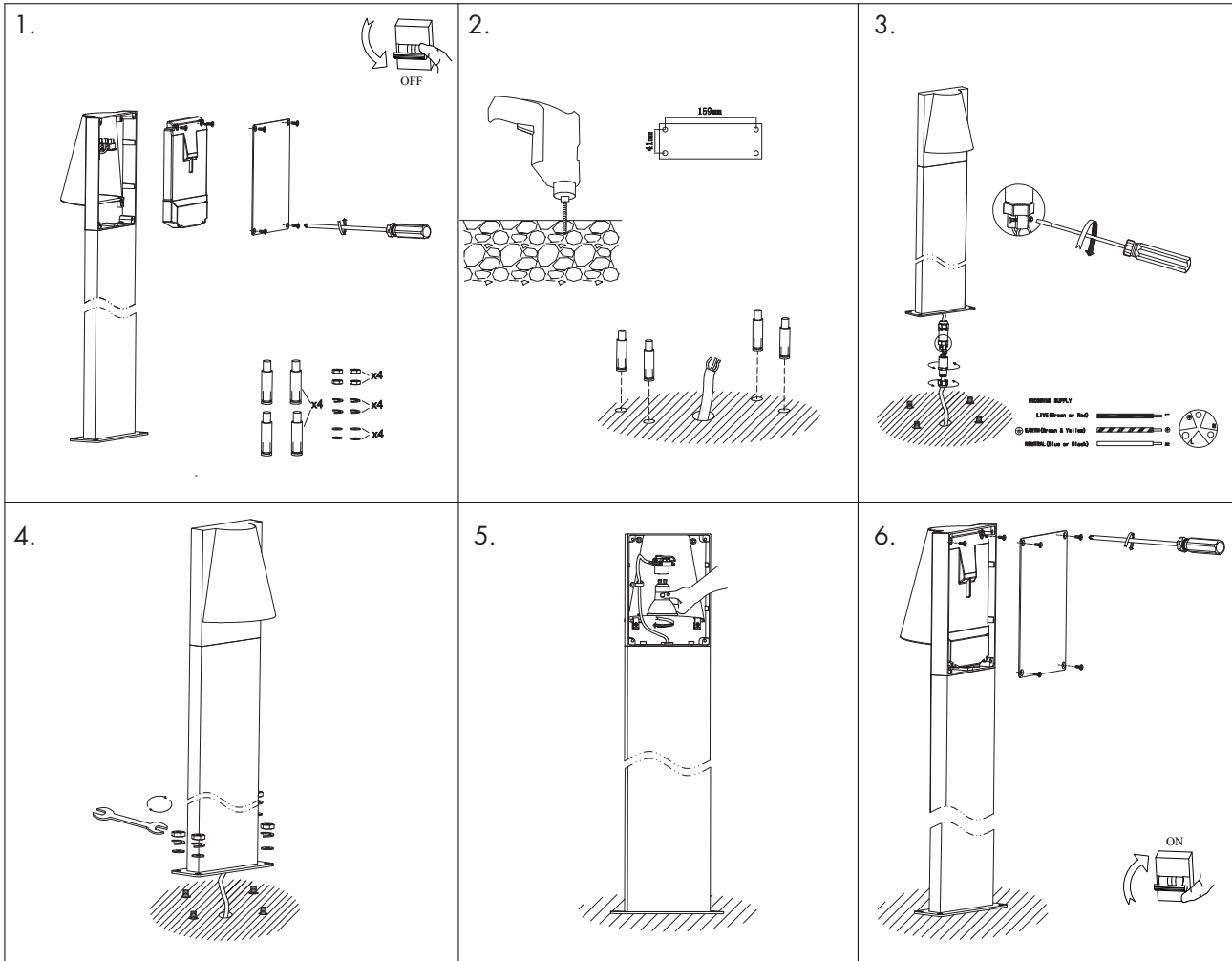


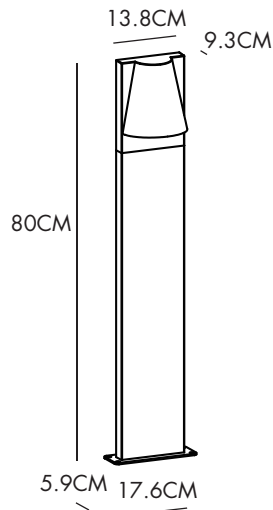
INSTRUCTION MANUAL



Femke P 80 Black
104087



Overall Size:



FittinQ B.V.

Smaragdweg 52, 5527 LB Hapert, The Netherlands
www.qazqa.nl

QAZQA