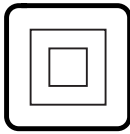
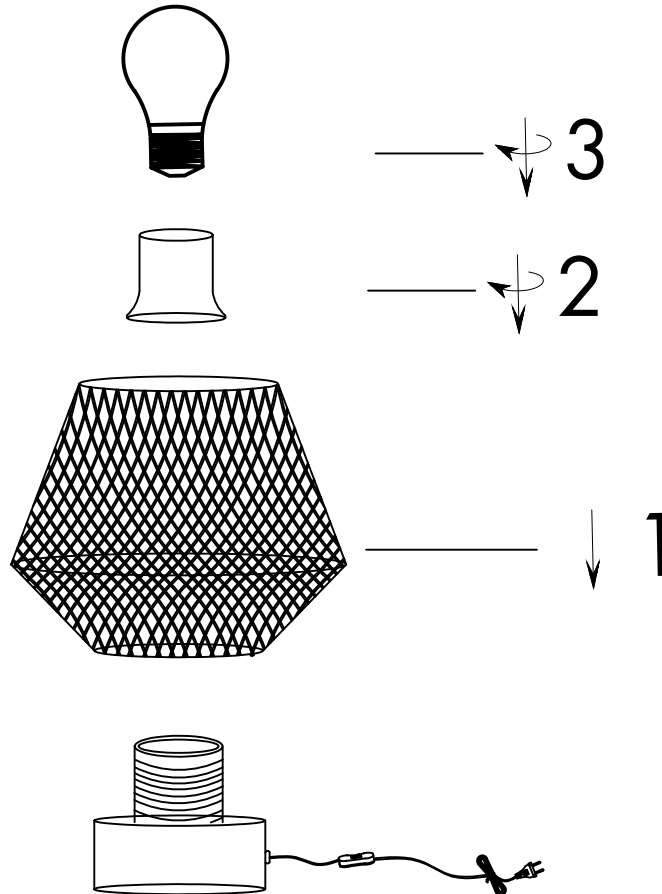


# INSTRUCTION MANUAL



Karce TL  
103547, 103548



Overall Sizes:

