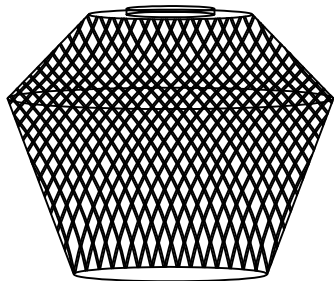
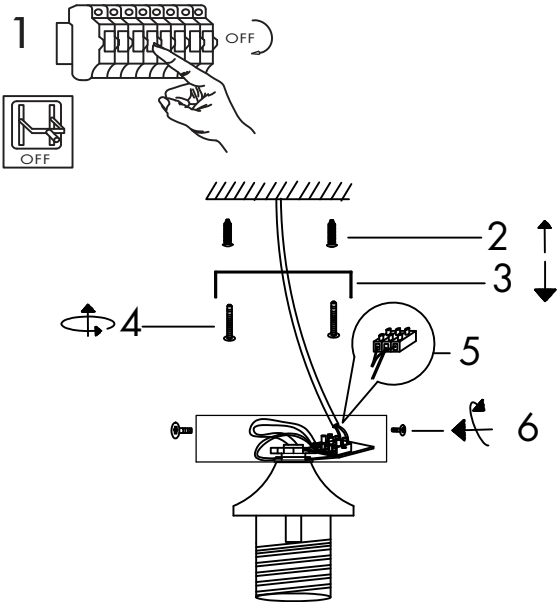


INSTRUCTION MANUAL

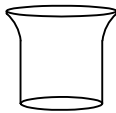
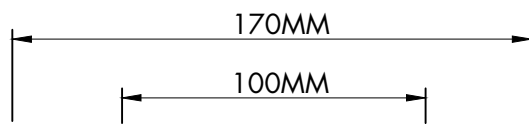


Karce CL
103545, 103546



7

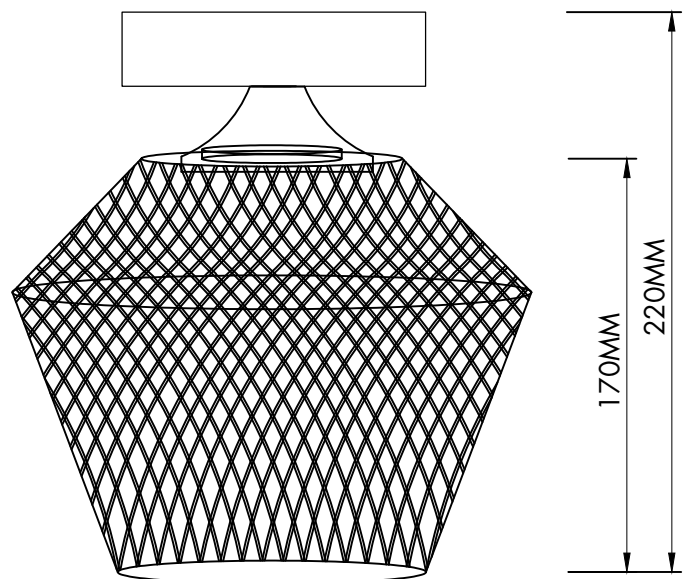
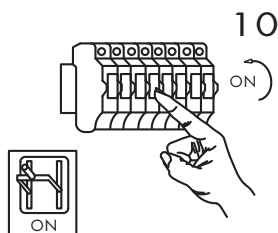
Overall Sizes:



8



9



FittinQ B.V.

Smaragdweg 52, 5527 LB Hapert, The Netherlands
www.qazqa.nl

QAZQA