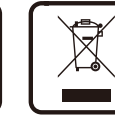
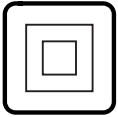
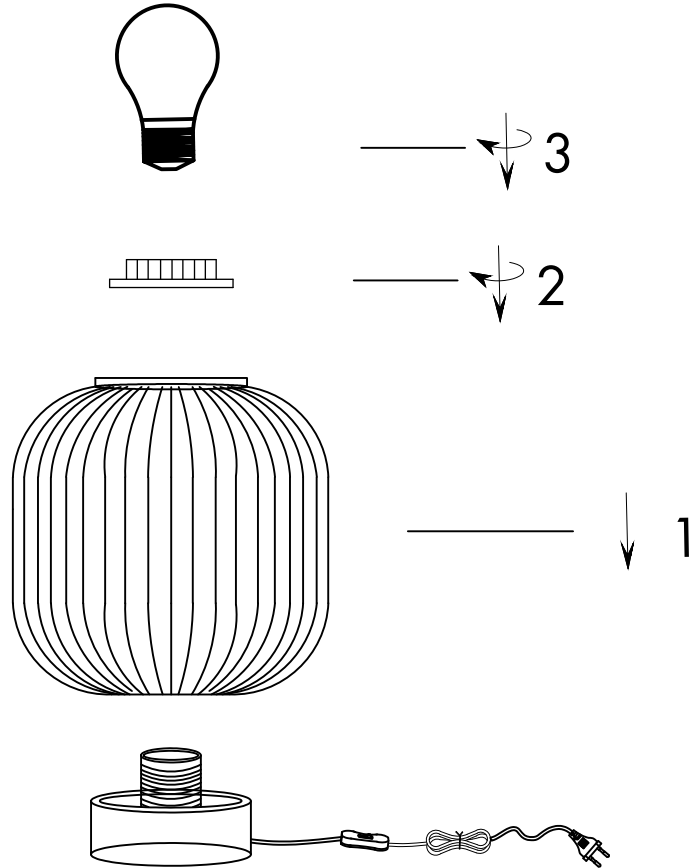


# INSTRUCTION MANUAL



Karel TL  
103539, 103540



Overall Sizes:

