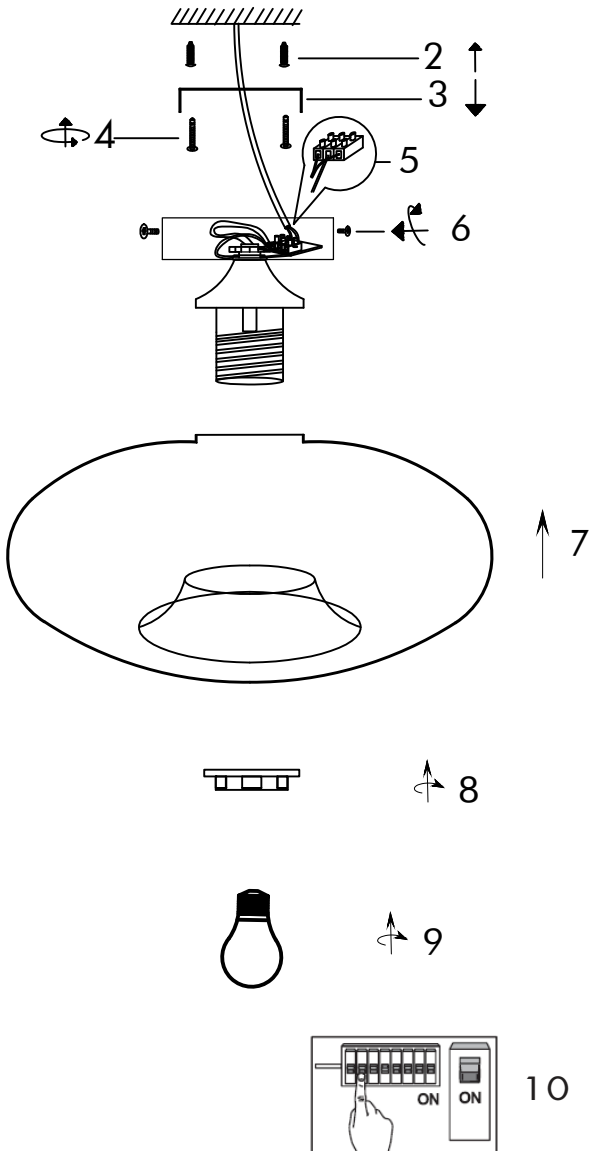
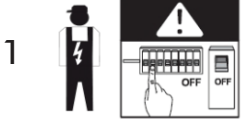


INSTRUCTION MANUAL



Busa CL Black Smoke
103527



Overall Sizes:

