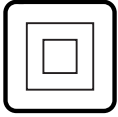
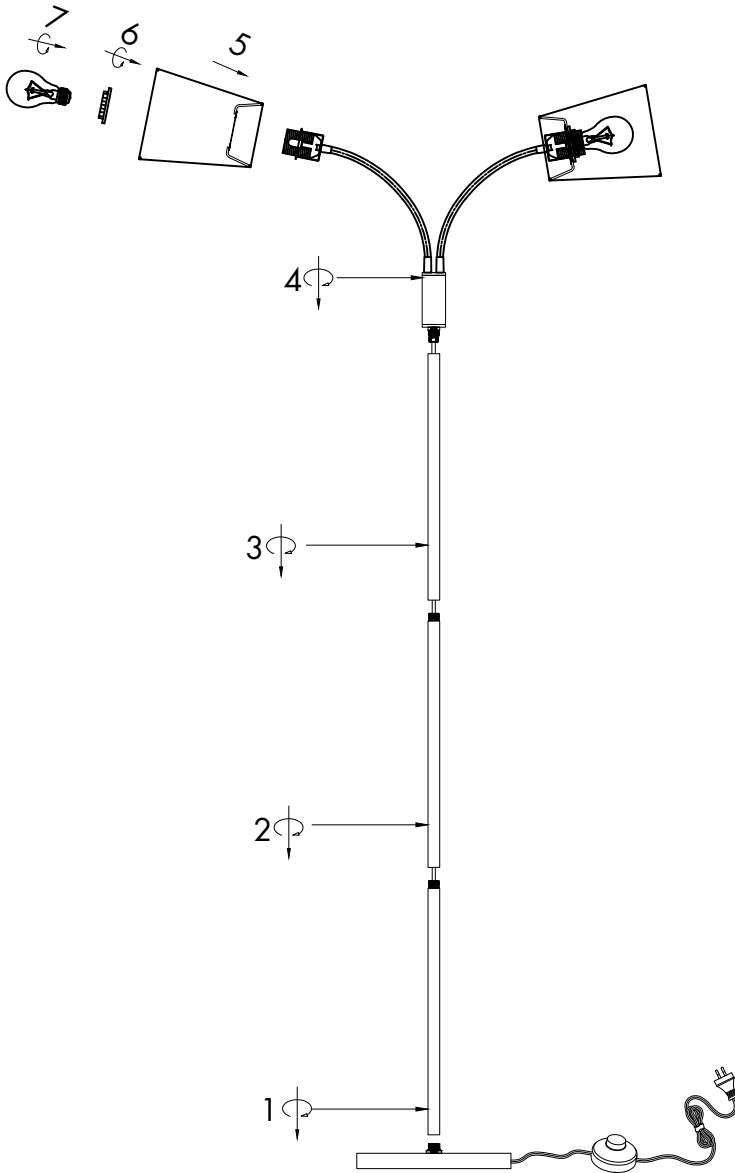


INSTRUCTION MANUAL



Carmen FL Black 2
103501



Overall Sizes:

