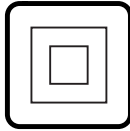
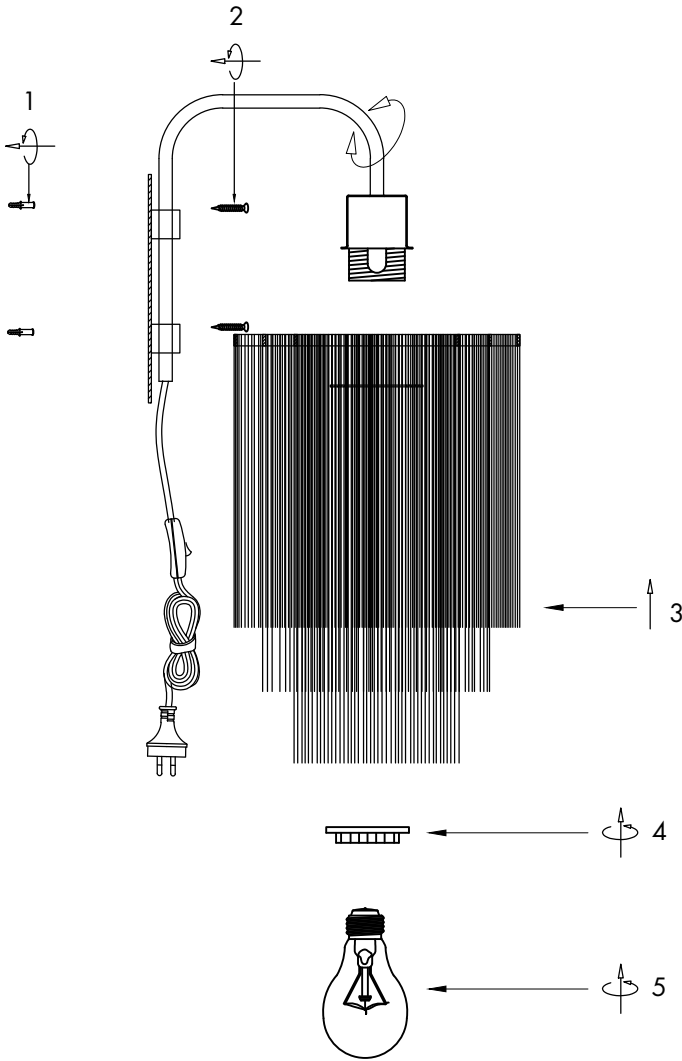


INSTRUCTION MANUAL



Franxa FL



Overall Sizes:

