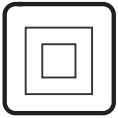
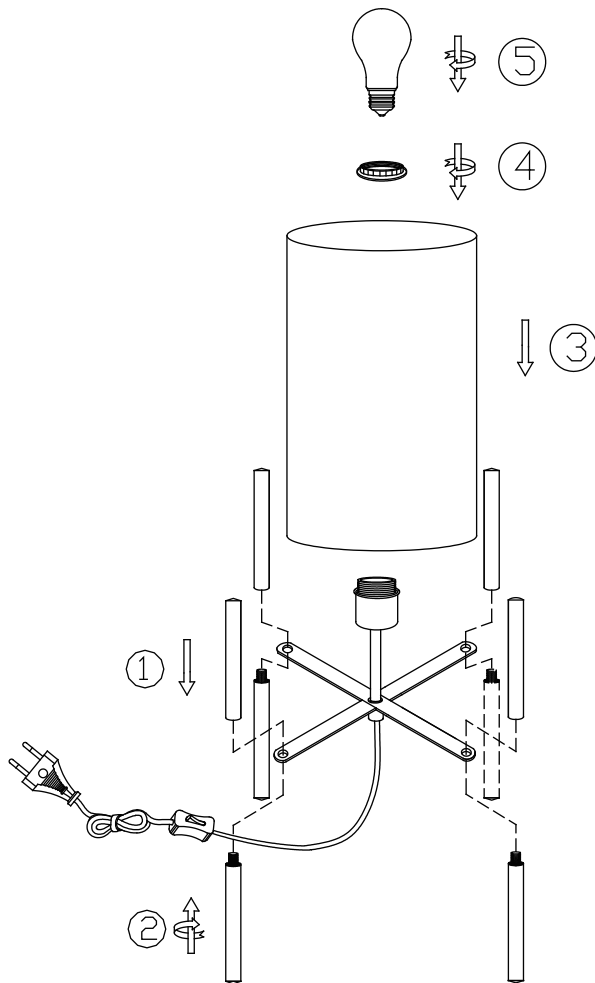


# INSTRUCTION MANUAL

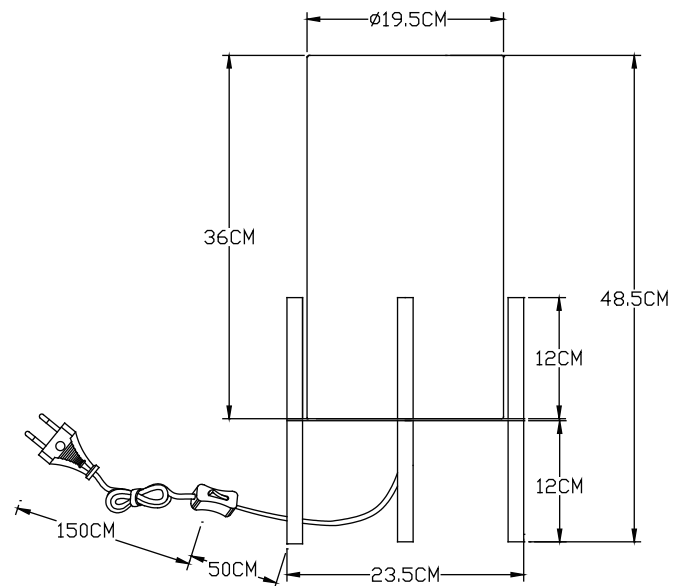


Rich TL

103286/103287/103288/103289/103290/103291



Overall Sizes :



**FittinQ B.V.**

Smaragdweg 52, 5527 LB Hapert, The Netherlands  
www.qazqa.nl

QAZQA