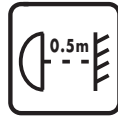
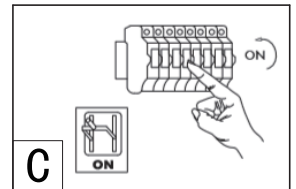
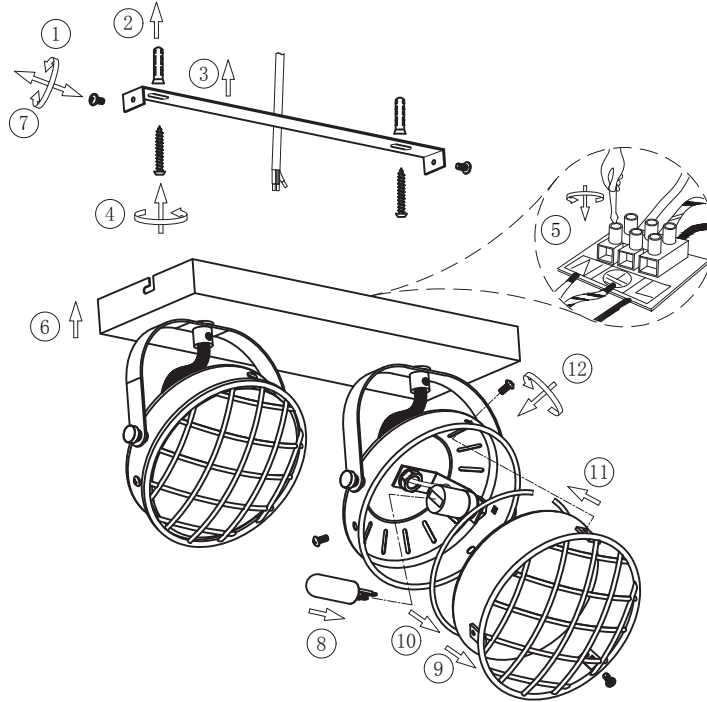
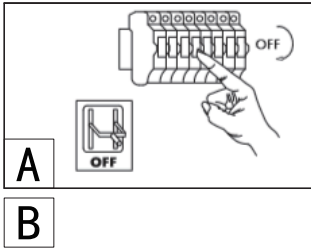


INSTRUCTION MANUAL



Tamina SL Brown 2
103224



Overall Sizes:

