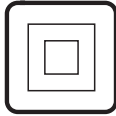
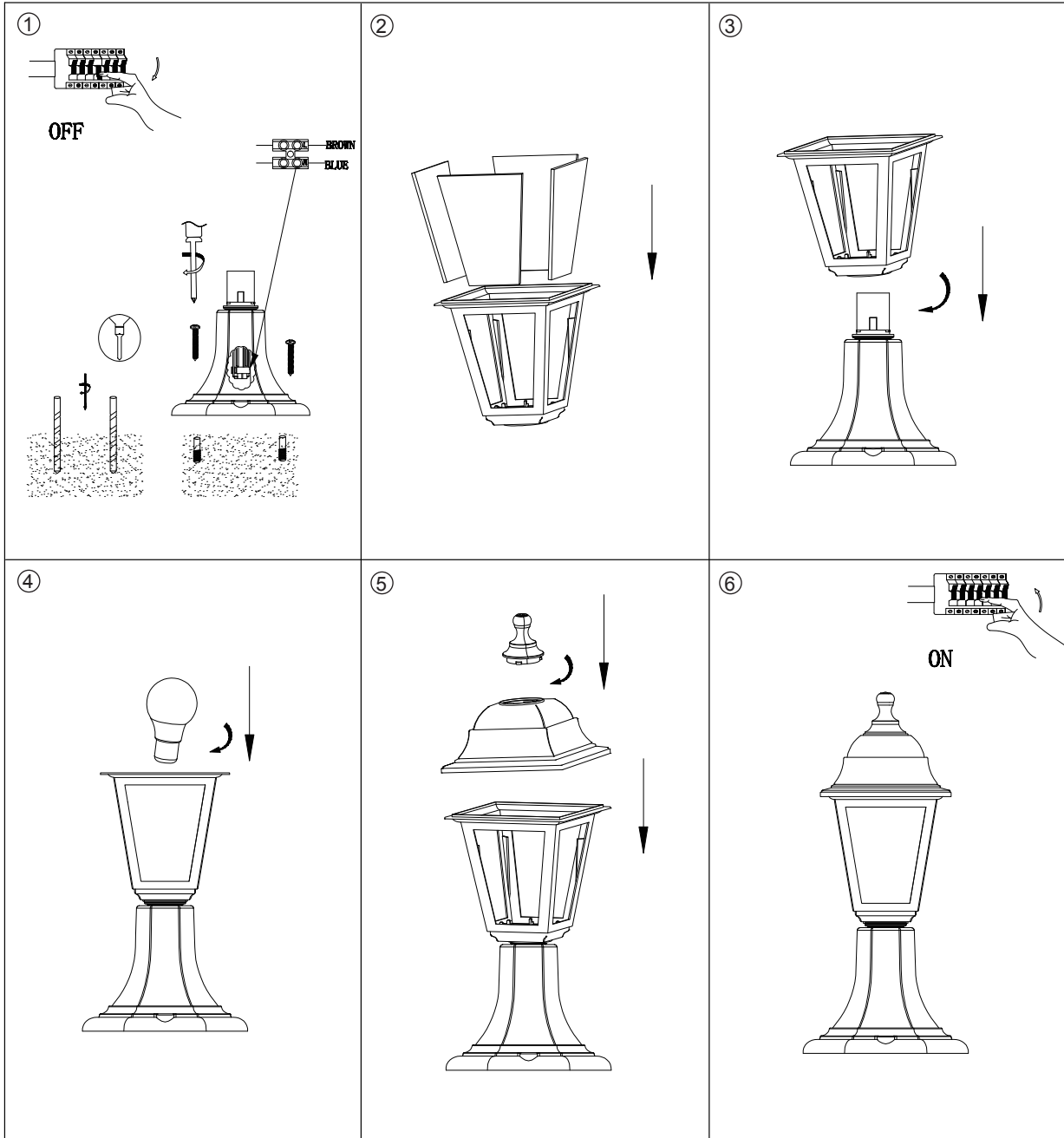


# INSTRUCTION MANUAL



Capital P44  
103214 / 103215



Overall Size:

