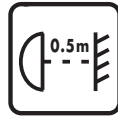
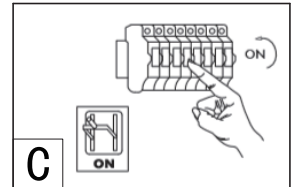
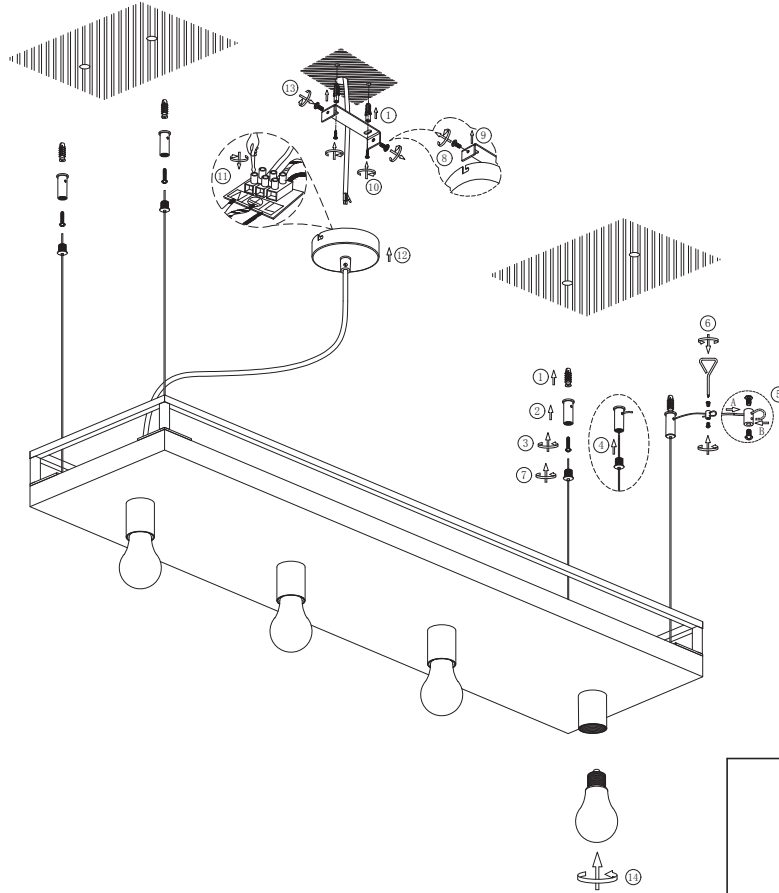
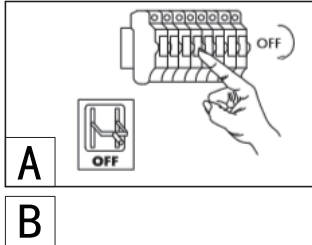


INSTRUCTION MANUAL



Shelf HL Black 4
103038



Overall Sizes:

