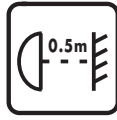
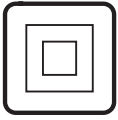
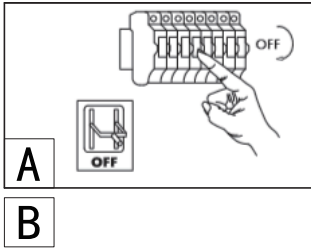


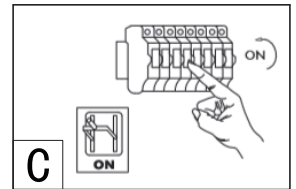
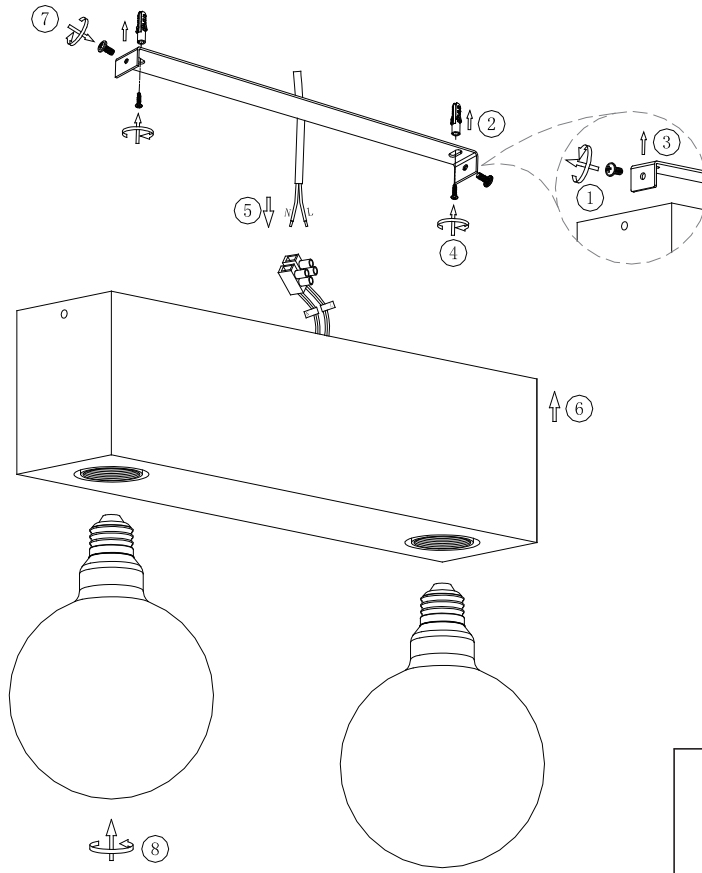
INSTRUCTION MANUAL



Bloc SL 2



B



C

Overall Sizes:

