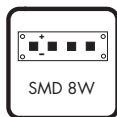
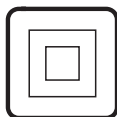
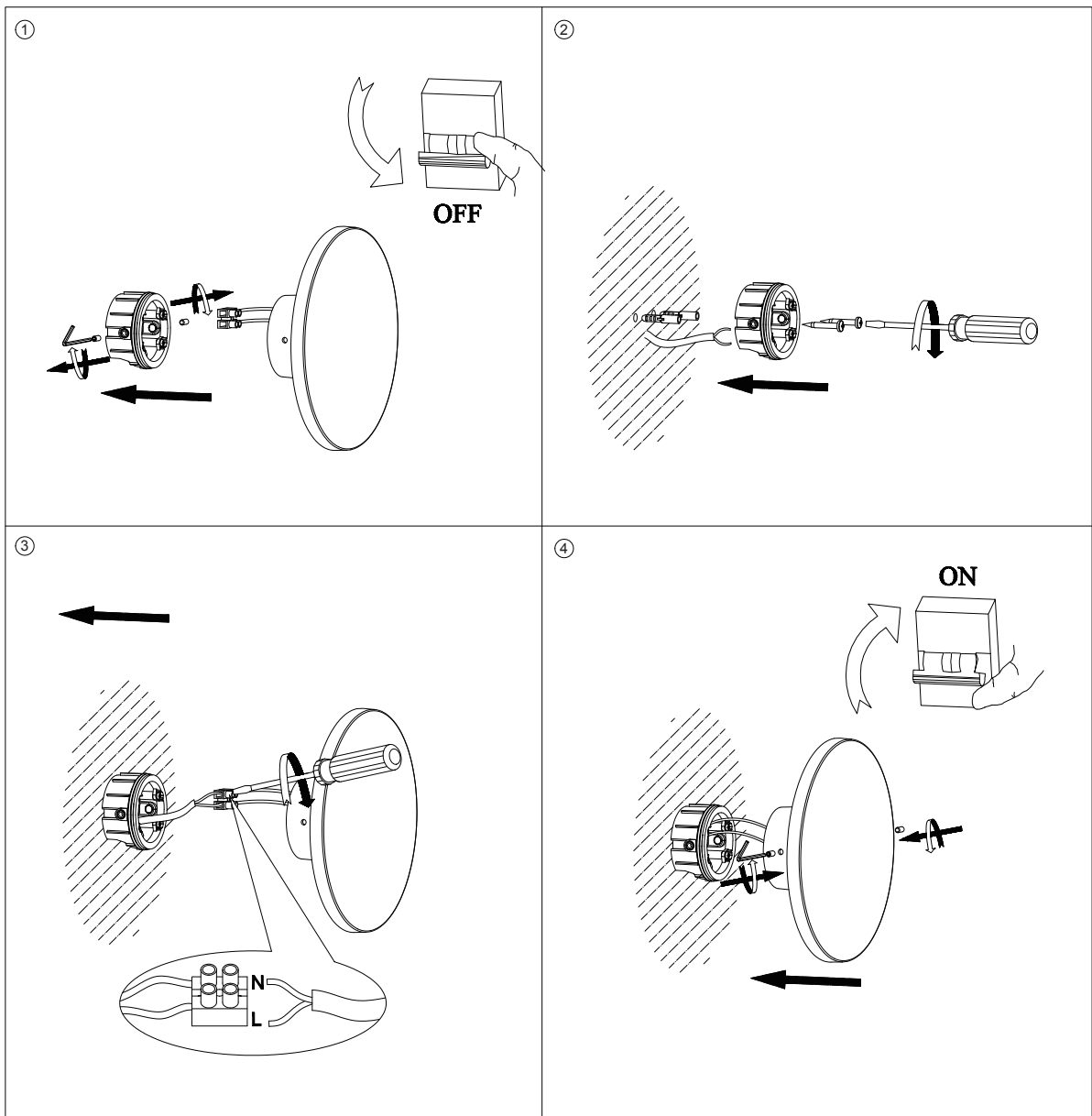


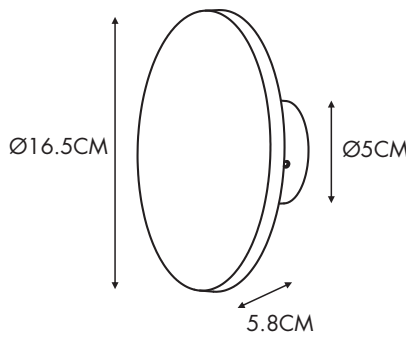
INSTRUCTION MANUAL



Skyf WL Dark Grey 16,5
102951



Overall Size:



600	LM
8	W
2700	K
>80	CRI
30000	H
15000	ON/OFF