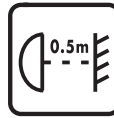
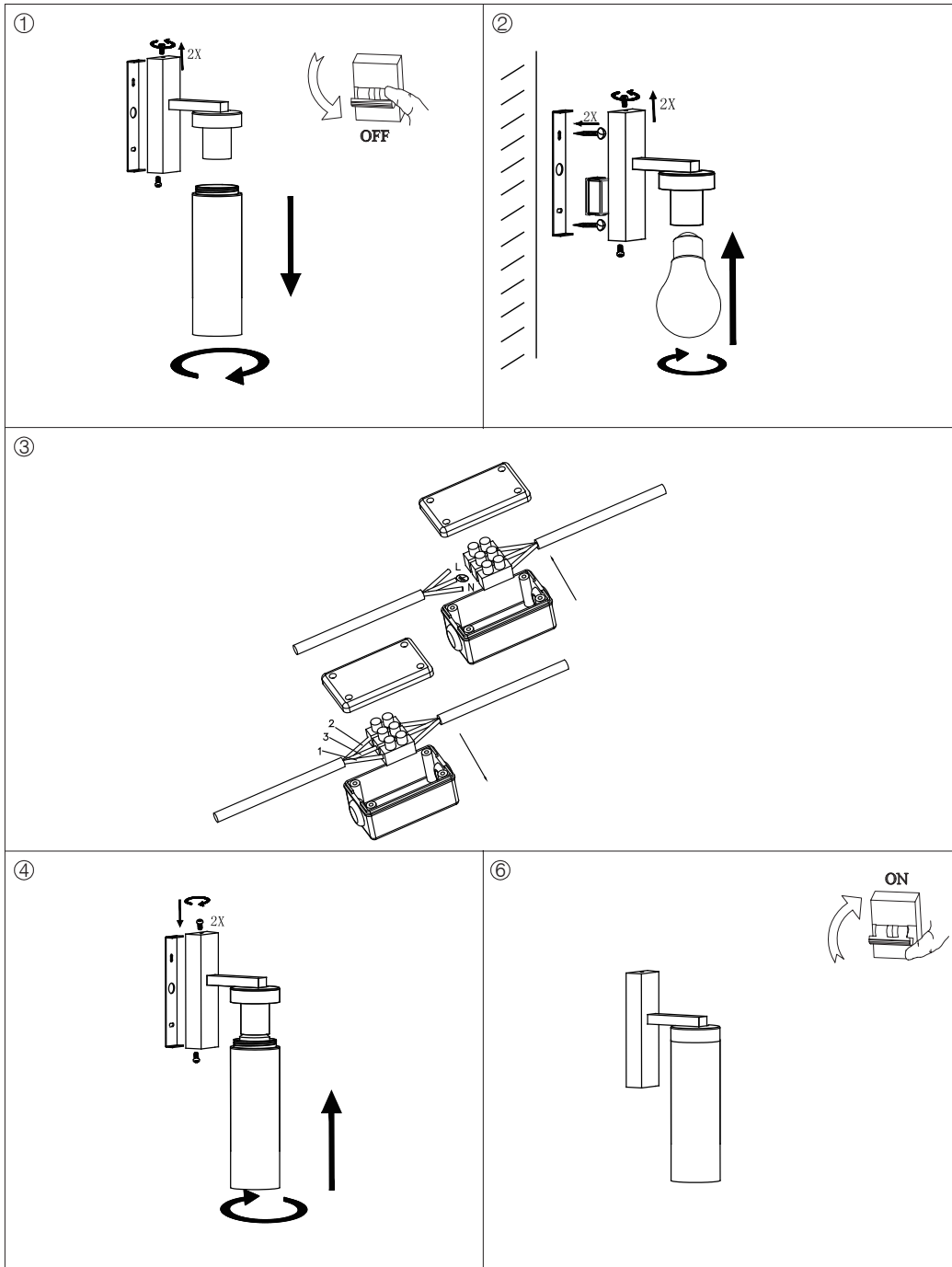


INSTRUCTION MANUAL



Jara WL Black
102950



Overall Size:

