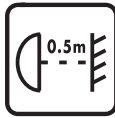
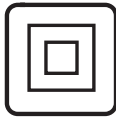
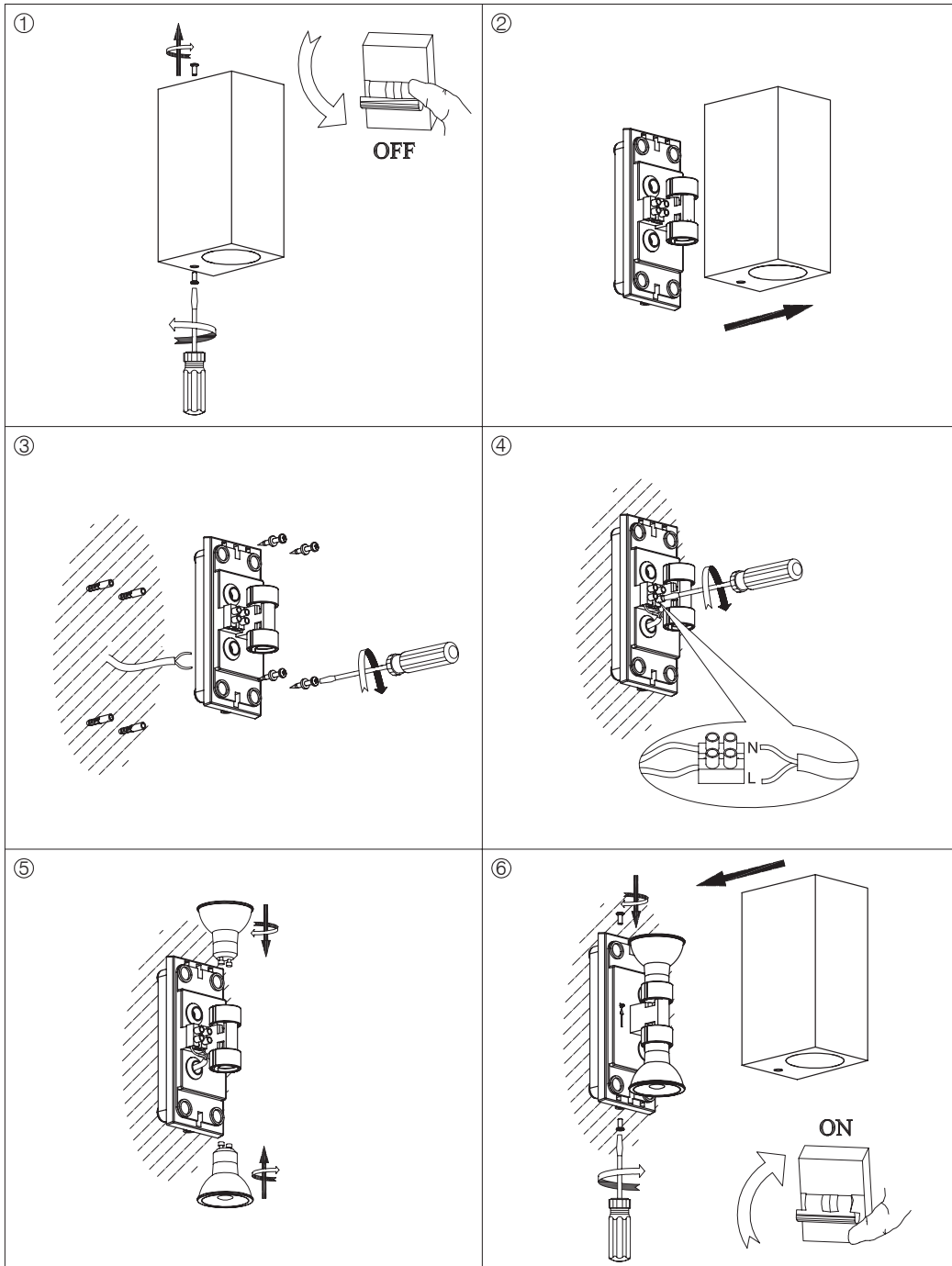


# INSTRUCTION MANUAL



Baleno II WL  
102677 / 102678 / 102679



Overall Size:

