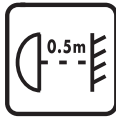
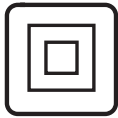
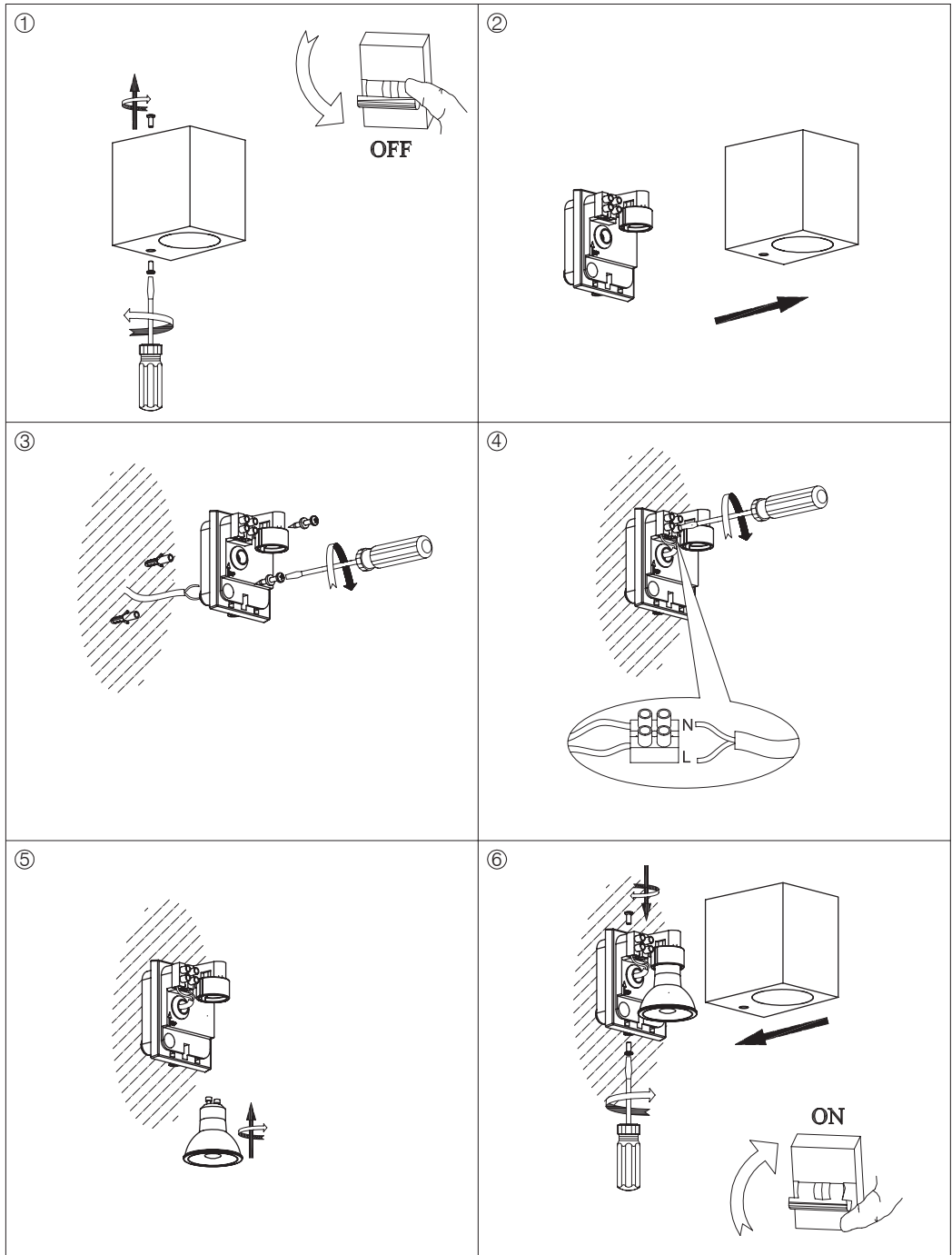


INSTRUCTION MANUAL



Baleno I WL
102674 / 102675 / 102676



Overall Size:

