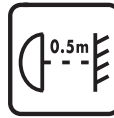
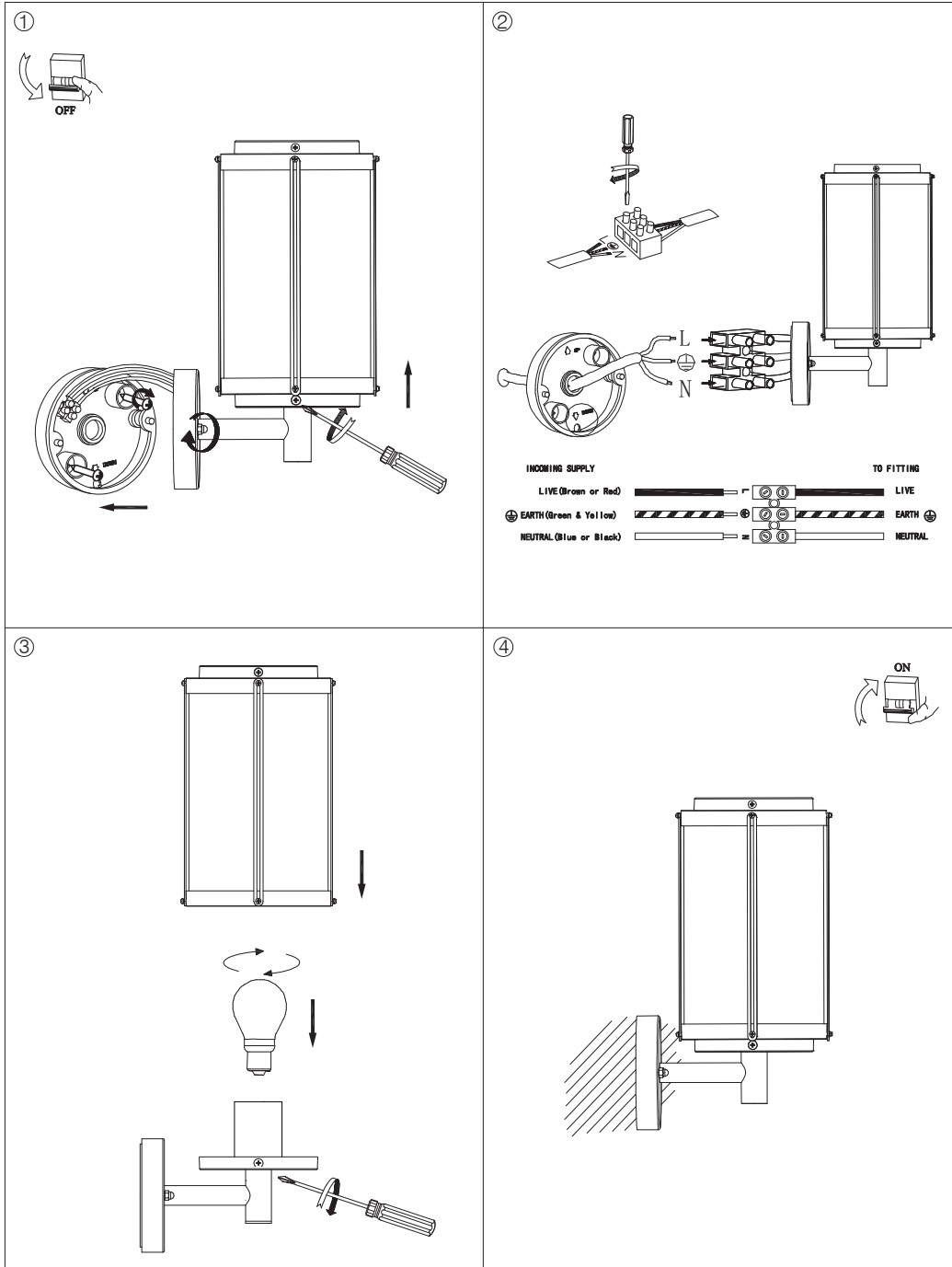


INSTRUCTION MANUAL



Schiedam WL Black
102441



Overall Size:

