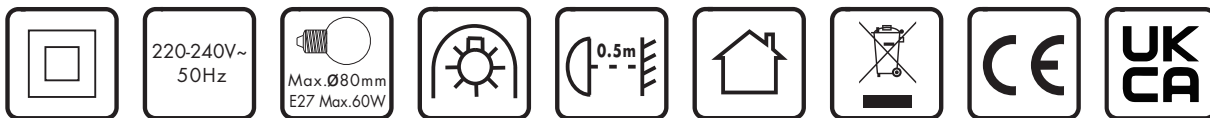
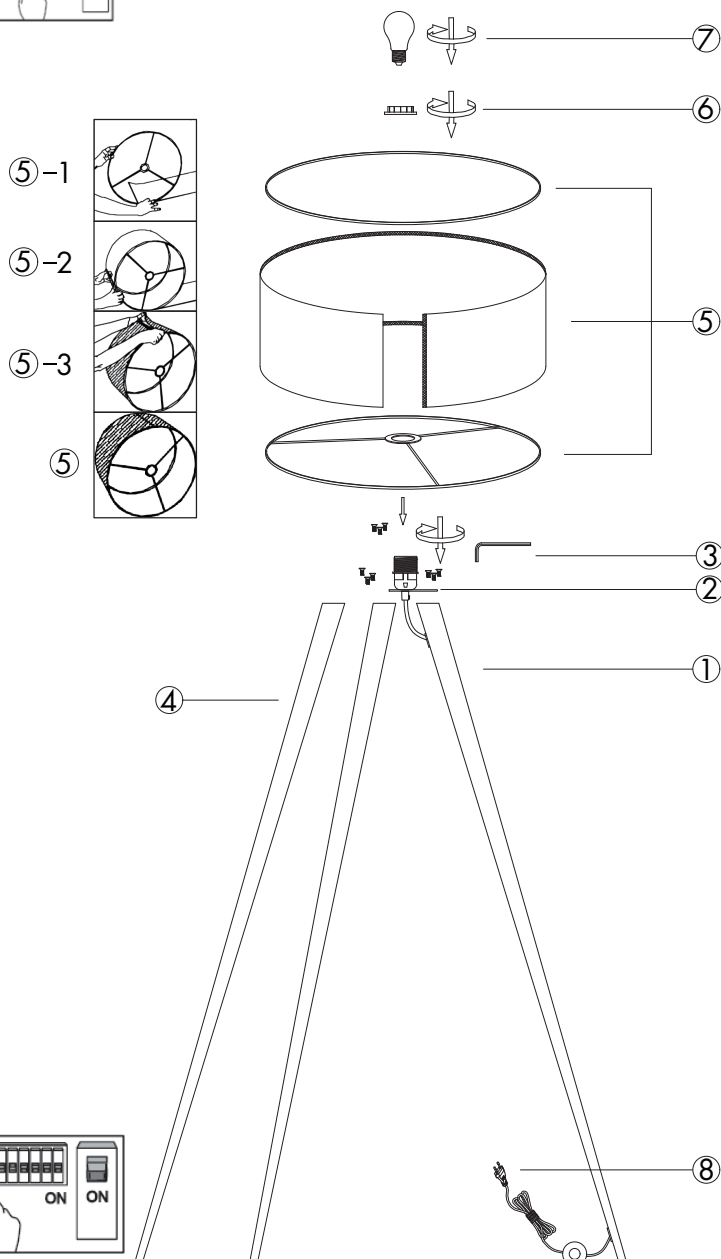


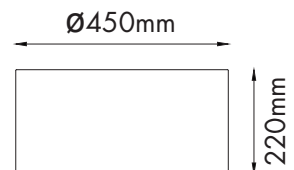
# INSTRUCTION MANUAL



Tripe FL Black Gold  
102214



Overall Sizes:



1360mm

220mm

1800mm

**FittinQ B.V.**

Smaragdweg 52, 5527 LB Hapert, The Netherlands  
www.qazqa.nl

QAZQA

